

# KEBO Inredningar



**Laboratory Furniture  
And  
Fume Extraction Systems**

## Contents

KEBO Inredningar corporate profile	3
KEBO 100 laboratory furniture	4
Oktagon laboratory table	27
Fume cupboards	28
Fume hoods	31
Downflow benches	33
Ventilated storage systems	37
Work chairs	40
Electric power strips	41
Taps and service fittings	42
Laminar air flow cabinets	44
Local extractors	45
KEBO 100 – description of materials	46
Notes	48
Index	49

Are you looking for something that is not featured in this catalogue?

Call us at +46 8 607 95 50,

or visit our web site **[www.kebo.se](http://www.kebo.se)**!

---

## KEBO Inredningar corporate profile

We manufacture, market and sell high quality laboratory furniture and fume extraction systems. We aim to offer a wide range of products and services suited for laboratory facilities – from large companies to small schools. We also manufacture, market and sell furniture to schools, hospitals and factories.

Our products are a result of a long tradition of designing and manufacturing laboratory furniture and fume extraction systems. We help our customers in finding a solution that match their needs and their budgets.

We are able to control and maintain the high quality of our products by manufacturing the most important components of the laboratory furnishings in our plant. And our experiences in manufacturing enable us to further enhance our products, and to continue to meet the needs of our customers.

We are committed to supporting our customers during the process of designing and furnishing a laboratory. Based on a customer's needs, we produce a concept drawing using CAD systems. When the customer is satisfied with the drawing, we make sure the laboratory furniture is delivered and installed.

---

### Main office

The main office of KEBO Inredningar Sverige AB is located in Huddinge, on the outskirts of Stockholm, the Swedish capital. Our Huddinge office is close to the Huddinge sjukhus university hospital, the Novum research center and the Södertörns högskola university. The location of our main office gives us an excellent opportunity to work with customers in our own neighbourhood.

### Sales office and manufacturing plant

The manufacturing plant and sales office for the southern region of Sweden is located in Hässleholm. At the plant we manufacture cabinets and fume cupboards, among other things.

#### Stockholm

Box 1111  
141 23 HUDDINGE  
SWEDEN  
Tel: +46 8 607 95 50  
Fax: +46 8 761 24 56



#### Hässleholm

Box 167  
281 22 HÄSSLEHOLM  
SWEDEN  
Tel: +46 451 846 20  
Fax: +46 451 846 23



---

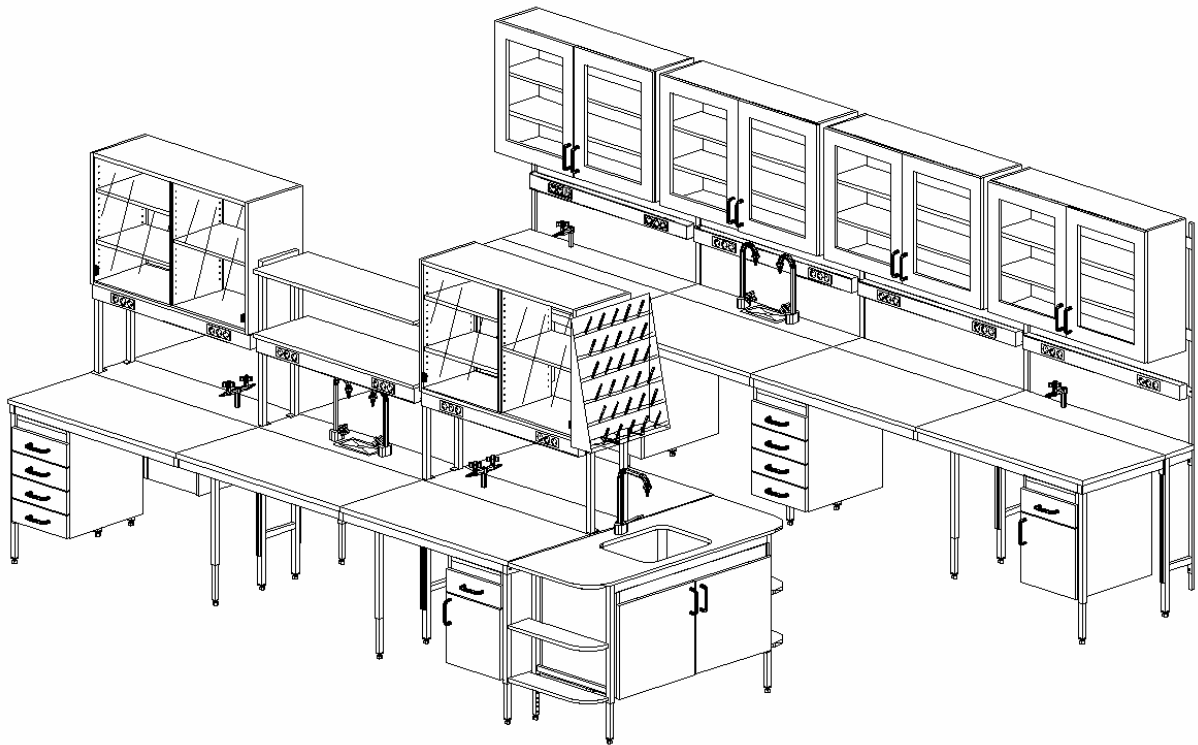
[www.kebo.se](http://www.kebo.se)  
[info@kebo.se](mailto:info@kebo.se)



---

## KEBO 100 laboratory furniture

An example of products in the KEBO 100 line

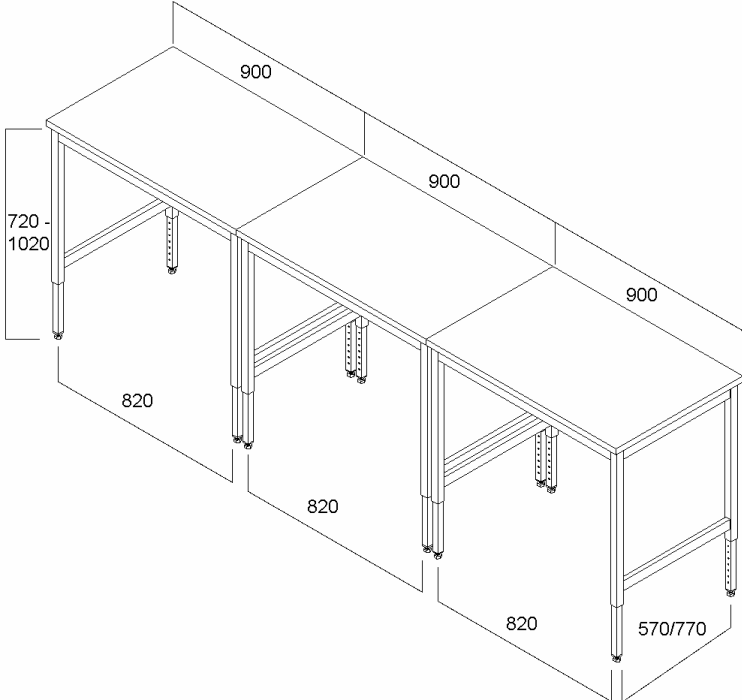


[www.kebo.se](http://www.kebo.se)

**Measurements - modules**

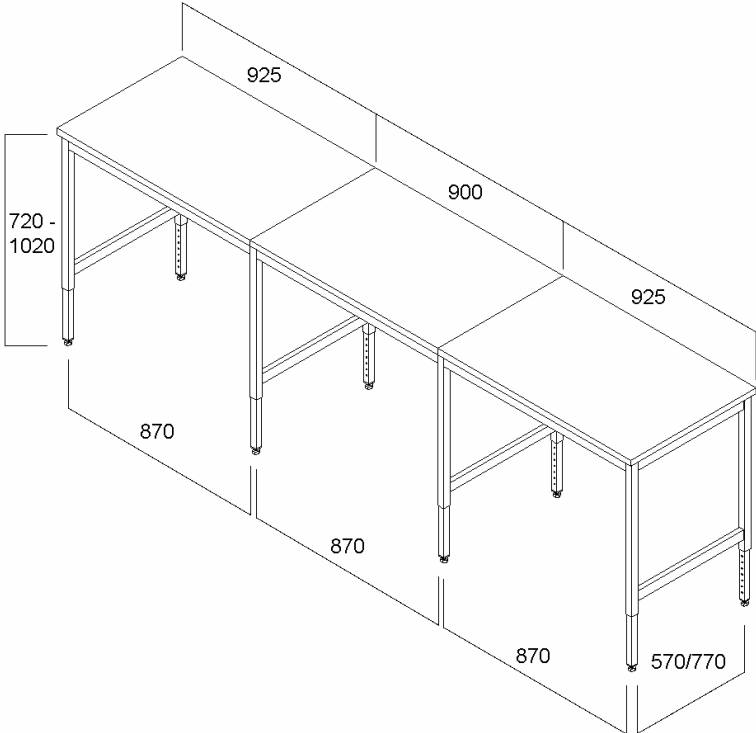
**Separate tables**

Recommended lengths for modules, in millimetres: 600, 900, 1200, 1500, 1800



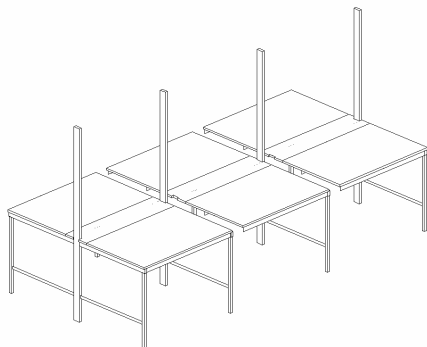
**Connected tables**

Recommended lengths for modules, in millimetres: 600, 900, 1200, 1500, 1800



**Connected modules**

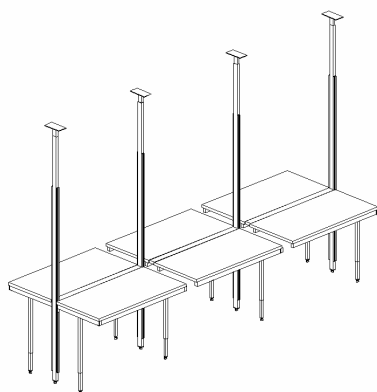
**Centre table design, type 1**



The sections include steel supports and frames only. Bench tops (BSK) and service shelves (IST) must be ordered separately.

Art No	Description	Module Length	Depth
<b>Start section</b>			
310.000-90	T1S9	900	1500
310.000-120	T1S12	1200	1500
310.001-90	T1S9	900	1900
310.001-120	T1S12	1200	1900
<b>Add-on/end section</b>			
310.000-92	T1A9	900	1500
310.000-122	T1A12	1200	1500
310.001-92	T1A9	900	1900
310.001-122	T1A12	1200	1900

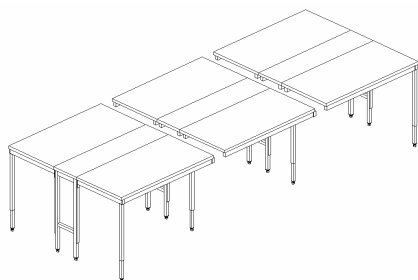
**Centre table design, type 3**



The sections include steel supports and frames only. Bench tops (BSK) and service shelves (ISGT) must be ordered separately.

Art No	Description	Module Length	Depth
<b>Start section</b>			
310.004-90	T3S9	900	1275
310.004-120	T3S12	1200	1275
310.005-90	T3S9	900	1675
310.005-120	T3S12	1200	1675
<b>Add-on/end section</b>			
310.004-92	T3A9	900	1275
310.004-122	T3A12	1200	1275
310.005-92	T3A9	900	1675
310.005-122	T3A12	1200	1675

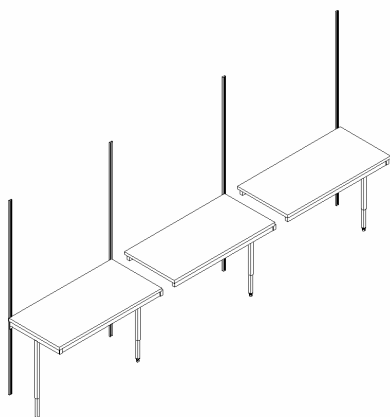
**Centre table design, type 5**



The sections include steel supports and frames only. Bench tops (BSK) and service shelves (ISB) must be ordered separately.

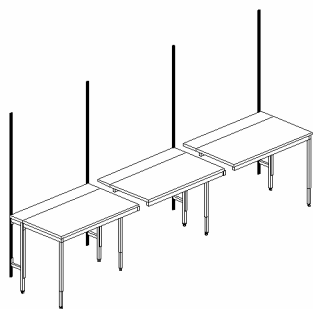
For shelves and above-bench units, see type 19, 20, or 21.

Art No	Description	Module Length	Depth
<b>Start section</b>			
310.008-90	T5S9	900	1500
310.008-120	T5S12	1200	1500
310.009-90	T5S9	900	1900
310.009-120	T5S12	1200	1900
<b>Add-on/end section</b>			
310.008-92	T5A9	900	1500
310.008-122	T5A12	1200	1500
310.009-92	T5A9	900	1900
310.009-122	T5A12	1200	1900

**Wall table design, type 9**

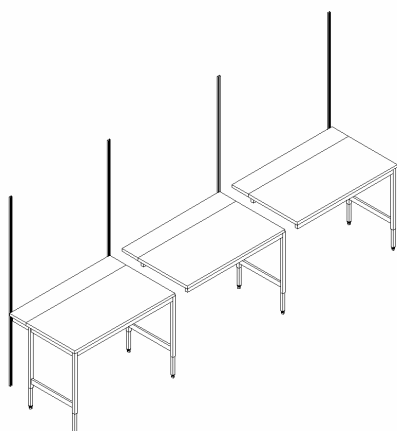
The sections include steel supports and frames only. Bench tops (BSK) must be ordered separately.

Art No	Description	Module Length	Depth
Start section			
310.016-60	T9S6	600	600
310.016-90	T9S9	900	600
310.016-120	T9S12	1200	600
310.017-60	T9S6	600	800
310.017-90	T9S9	900	800
310.017-120	T9S12	1200	800
Add-on/end section			
310.016-62	T9A6	600	600
310.016-92	T9A9	900	600
310.016-122	T9A12	1200	600
310.017-62	T9A6	600	800
310.017-92	T9A9	900	800
310.017-122	T9A12	1200	800

**Wall table design, type 12**

The sections include steel supports and frames only. Bench tops (BSK) and service shelves (IS) must be ordered separately.

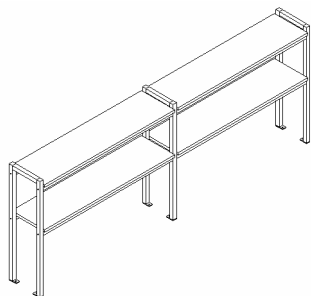
Art No	Description	Module Length	Depth
Start section			
310.022-60	T12S6	600	800
310.022-90	T12S9	900	800
310.022-120	T12S12	1200	800
310.023-60	T12S6	600	1000
310.023-90	T12S9	900	1000
310.023-120	T12S12	1200	1000
Add-on/end section			
310.022-62	T12A6	600	800
310.022-92	T12A9	900	800
310.022-122	T12A12	1200	800
310.023-62	T12A6	600	1000
310.023-92	T12A9	900	1000
310.023-122	T12A12	1200	1000

**Wall table design, type 15**

Connected desks. The sections include steel supports and frames only. Bench tops (BSK) and service shelves (IS) must be ordered separately.

Art No	Description	Module Length	Depth
Start section			
310.028-60	T15S6	600	800
310.028-90	T15S9	900	800
310.028-120	T15S12	1200	800
310.029-60	T15S6	600	1000
310.029-90	T15S9	900	1000
310.029-120	T15S12	1200	1000
Add-on/end section			
310.028-62	T15A6	600	800
310.028-92	T15A9	900	800
310.028-122	T15A12	1200	800
310.029-62	T15A6	600	1000
310.029-92	T15A9	900	1000
310.029-122	T15A12	1200	1000

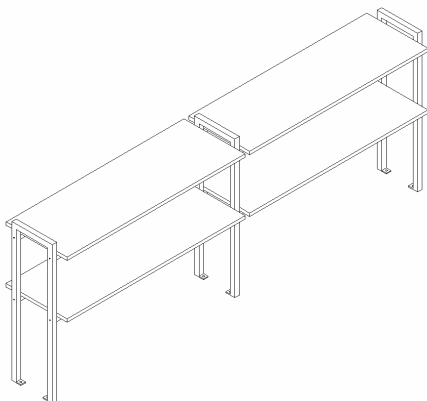
**Shelf design, type 19**



The sections include steel supports and frames only. Shelf tops (HP) must be ordered separately.

Art No	Description	Module Length	Depth
<b>Start section</b>			
310.040-90	T19S9	900	280
310.040-120	T19S12	1200	280
<b>Add-on/end section</b>			
310.040-92	T19A9	900	280
310.040-122	T19A12	1200	280

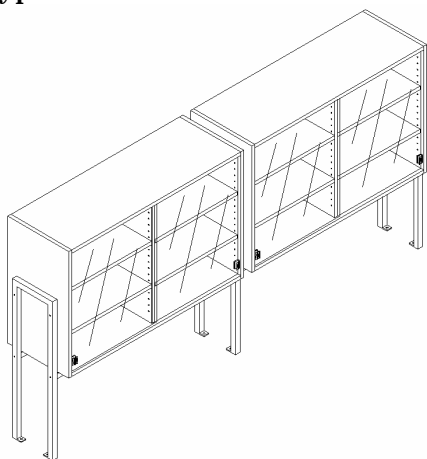
**Shelf design, type 20**



The sections include steel supports only. Shelf tops (HP) must be ordered separately.

Art No	Description	Module Length	Depth
<b>Start section</b>			
310.041-90	T20S9	900	400/400
310.041-120	T20S12	1200	400/400
<b>Add-on/end section</b>			
310.041-92	T20A9	900	400/400
310.041-122	T20A12	1200	400/400

**Overbench cupboard design, type 21**



All sections include steel supports and cupboards.

Art No	Description	Module Length	Depth
<b>Start section</b>			
310.042-90	T21S9	900	400
310.042-120	T21S12	1200	400
<b>Add-on/end section</b>			
310.042-92	T21A9	900	400
310.042-122	T21A12	1200	400

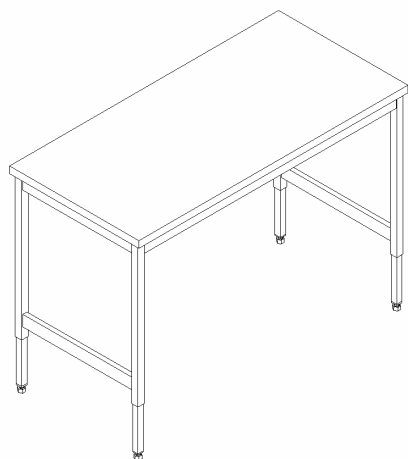
[www.kebo.se](http://www.kebo.se)

---

## Benches

---

### Laboratory bench, type LB



With telescopic legs.

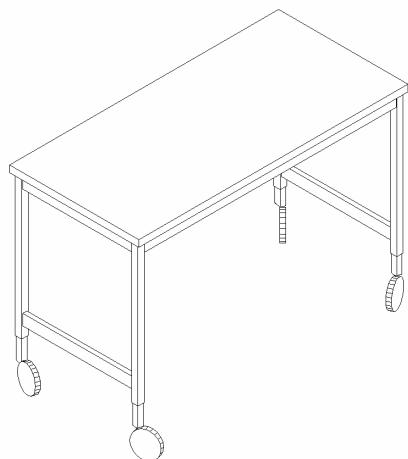
Including bench top (BSK) with high-pressure laminate, type K1040 UN (white), and edges of beech. The bench top can be made with other laminates.

Height: 720-1020 millimetres.

Art No	Description	Length	Depth
310.050-6	LB6	600	600
310.050-9	LB9	900	600
310.050-12	LB12	1200	600
310.050-15	LB15	1500	600
310.050-18	LB18	1800	600
310.050-21	LB21	2100	600
310.050-24	LB24	2400	600
310.051-6	LB6	600	800
310.051-9	LB9	900	800
310.051-12	LB12	1200	800
310.051-15	LB15	1500	800
310.051-18	LB18	1800	800
310.051-21	LB21	2100	800
310.051-24	LB24	2400	800

---

### Laboratory bench on wheels, type RLB



With telescopic legs.

Including bench top (BSK) with high-pressure laminate, type K1040 UN (white), and edges of beech. The bench top can be made with other laminates.

Height: 850-1150 millimetres.

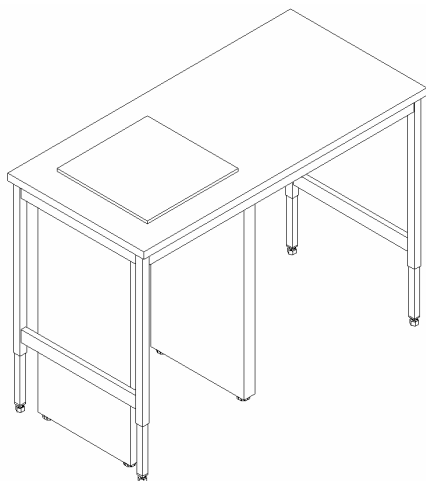
Maximum load: 300 kg.

Brakes on two wheels.

Art No	Description	Length	Depth
310.052-9	RLB9	900	600
310.052-12	RLB12	1200	600
310.052-15	RLB15	1500	600
310.053-9	RLB9	900	800
310.053-12	RLB12	1200	800
310.053-15	RLB15	1500	800

[www.kebo.se](http://www.kebo.se)

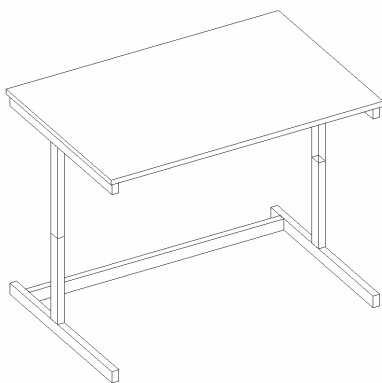
**Balance table, type VLB**



With telescopic legs.  
Including bench top (BSK) with high-pressure laminate, type K1040 UN (white), and edges of beech. The bench top can be made with other laminates.  
Including concrete foundation, painted.

Art No	Description	Length	Height
310.057-9	VLB9	900	900
310.057-12	VLB12	1200	900
310.058-9	VLB9	900	750
310.058-12	VLB12	1200	750

**Table, adjustable height, type HLB**

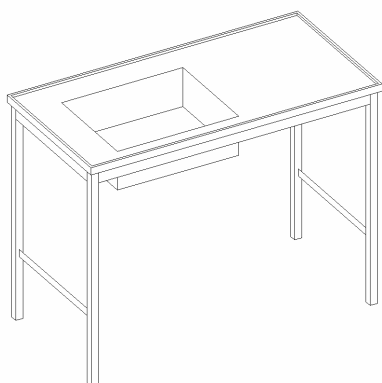


Including bench top (BSK) with high-pressure laminate, type K1040 UN (white), and edges of beech. The bench top can be made with other laminates.

Load: 350 kg. Height: 670-1070 millimetres. Other sizes and models are available.

Art No	Description	Length	Depth	Note
310.059-12	HLB12	1200	600	Crank
310.059-15	HLB15	1500	600	Crank
310.060-12	HLB12M	1200	600	Motor
310.060-15	HLB15M	1500	600	Motor
310.061-12	HLB12	1200	800	Crank
310.061-15	HLB15	1500	800	Crank
310.062-12	HLB12M	1200	800	Motor
310.062-15	HLB15M	1500	800	Motor

**Sink, type DLB**



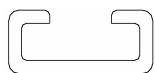
With telescopic legs.  
Depth: 600 millimetres. Height: 720-1050 millimetres. Other models can be manufactured according to your specifications.

Art No	Description	Length	Type
Made of acid resistant stainless steel			
310.065-60	DLB6	600	LE34
310.065-90	DLB9V	900	BE50
310.065-91	DLB9H	900	BE50
310.065-120	DLB12V	1200	BE50
310.065-121	DLB12H	1200	BE50
310.065-152	DLB15M	1500	BE50
Made of polypropylene			
310.066-60	DLB6	600	LE34
310.066-90	DLB9V	900	BE50
310.066-91	DLB9H	900	BE50
310.066-120	DLB12V	1200	BE50
310.066-121	DLB12H	1200	BE50
310.066-152	DLB15M	1500	BE50

---

**Steel parts**

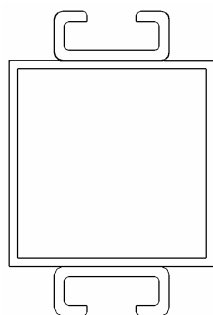

---

**Wall rail, type VS**

C-profile 28 x 12 millimetres, thickness 2,5 millimetres.  
Screws are not included.

Art No	Description	Height
311.000-6	VS-6	600
311.000-8	VS-8	800
311.000-12	VS-12	1200
311.000-20	VS-20	2000

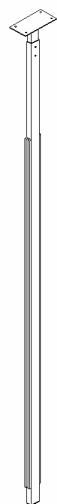
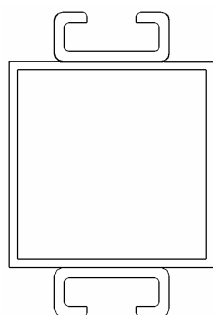
---

**Centre table support, type TBS**


Height 2100 millimetres. The support is 50 x 50 millimetres.  
Adjustable foot.

Art No	Description	Height
312.001	TBS	2100

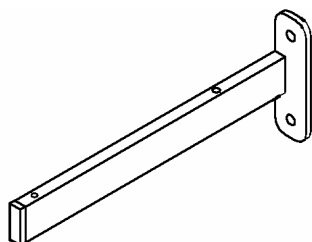
---

**Table support for attachment to ceiling or floor, type GTS**


Adjustable height. The support is 50 x 50 millimetres.  
Adjustable foot. The ceiling attachment is adjustable.

Art No	Description	Height
312.002-lpm	GTS	Manufactured to order

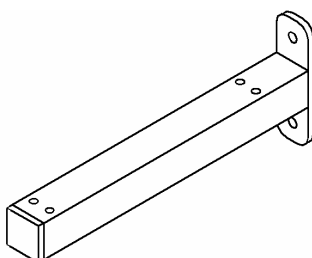
**Bracket for shelf, type HK**



Single. Screws and nuts are included.

Art No	Description	Depth
311.003-1	HK1	200
311.003-2	HK2	255
311.003-3	HK3	380

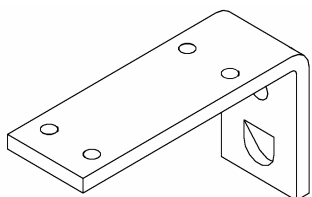
**Bracket for shelf, type HKD**



Double. Screws and nuts are included. For use between shelves.

Art No	Description	Depth	Note
311.004-1	HKD1	200	
311.004-2	HKD2	255	
311.004-3	HKD3	380	
311.004-4	HKD4	450	Strengthened

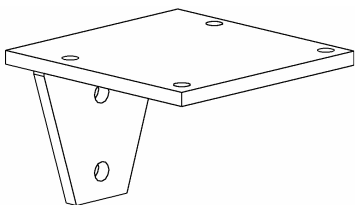
**Bracket for shelf, type TBKR**



Screws and nuts are included. Use with service shelf IST or shelf HPT on centre table.

Art No	Description	Depth
311.005	TBKR	85

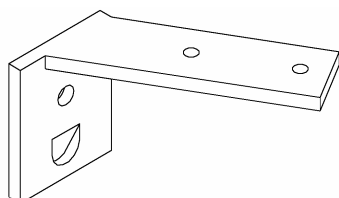
**Bracket for shelf, type TBKB**



Screws and nuts are included. Use with service shelf IST, shelf HPT, or overbench cupboard ÖSR on centre table.

Art No	Description	Depth
311.006	TBKB	85

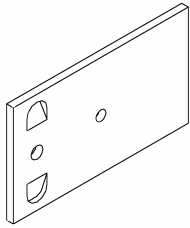
**Bracket for shelf, type TBK**



Angle 45°. Screws and nuts are included. Use with service shelf IST, shelf HPT, or overbench cupboard ÖSR on centre table.

Art No	Description	Depth
311.007-0 (left)	TBKV	85
311.007-1 (right)	TBKH	85

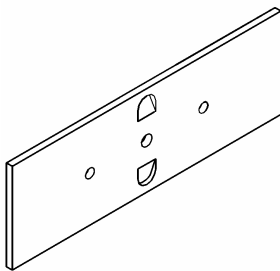
---

**Fitting, type FBE**


Single fitting for start/end section. 104 x 60 millimetres. Screws and nuts are included. Use with overbench cupboard ÖS/ÖST/ÖSG or glassware pegboard TS.

<b>Art No</b>	<b>Description</b>
312.050	FBE

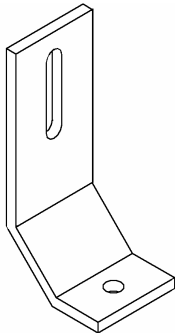
---

**Fitting, type FBD**


Double fitting for use with cupboards mounted next to each other. 180 x 60 millimetres. Screws and nuts are included. Use with overbench cupboard ÖS/ÖST/ÖSG or glassware pegboard TS.

<b>Art No</b>	<b>Description</b>
312.051	FBD

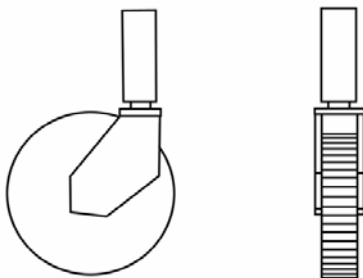
---

**Fitting, type GF**


Use for attaching tables to the floor. Screw not included.

<b>Art No</b>	<b>Description</b>
311.012	GF

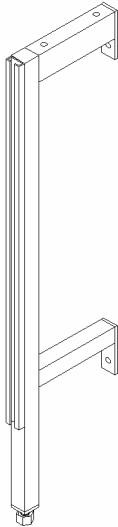
---

**Wheel kit, type HJUL**


Four wheels, two with lockable brakes. For mounting on table support.

<b>Art No</b>	<b>Description</b>
311.013	Wheel kit

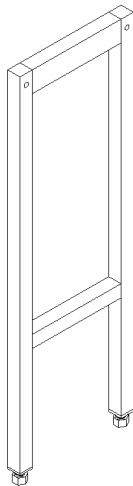
**Support for service shelf, type IB**



Use for 200 millimetres wall service void. For wall mounting. Screws and nuts are included.

Art No	Description	Height	Depth
311.014	IB9	875	199

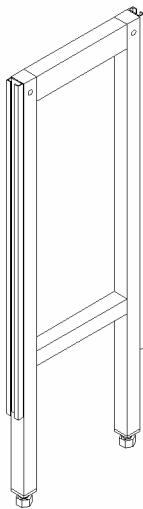
**Support for service shelf, type IBF**



Free standing.

Art No	Description	Height	Depth
311.015	IBF9	875	274

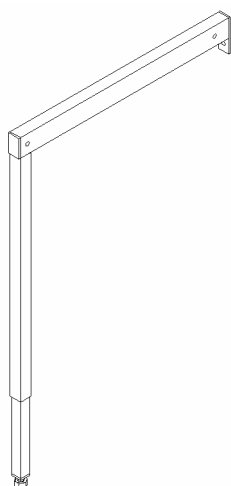
**Support for service shelf, type IBC**



Use for 300 millimetres centre table service void. Connect to table frame. Free standing.

Art No	Description	Height	Depth
311.016	IBC9	875	298

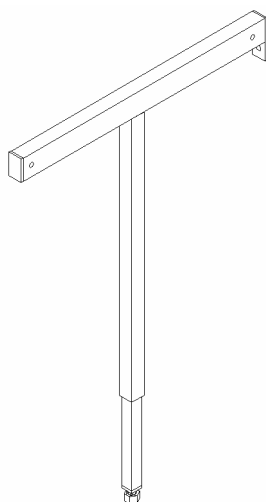
---

**Support for table, type SB**


With telescopic legs.  
Screws and nuts are included.  
Height: 720-1050 millimetres.  
Use with wall rail VS, table support GTS, service shelf support IB, or service shelf support IBC.

Art No	Description	Depth
311.018-6	SB6	599
311.018-8	SB8	799

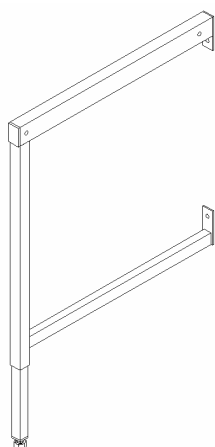
---

**Support for table, type SBI**


With telescopic legs.  
Screws and nuts are included.  
Height: 720-1050 millimetres.  
Use with wall rail VS, table support GTS, service shelf support IB, or service shelf support IBC.

Art No	Description	Depth
311.019-6	SBI6	599
311.019-8	SBI8	799

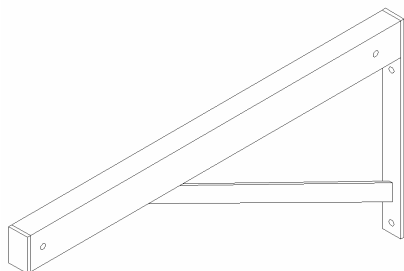
---

**Support for table, type SBT**


With telescopic legs.  
Screws and nuts are included.  
Height: 720-1050 millimetres.  
Use with centre table support TBS or table support GTS.

Art No	Description	Depth
311.021-6	SBT6	599
311.021-7	SBT7	712
311.021-8	SBT8	799
311.021-9	SBT9	912

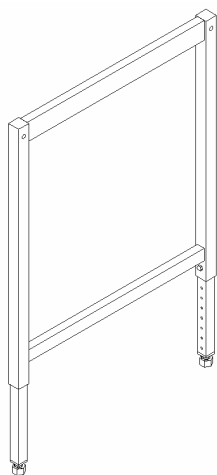
**Bracket for table, type BK**



Screws and nuts are included.  
Use with wall rail VS, table support GTS, service shelf support IB, or service shelf support IBC.

Art No	Description	Depth
311.020-6	BK6	599
311.020-8	BK8	799

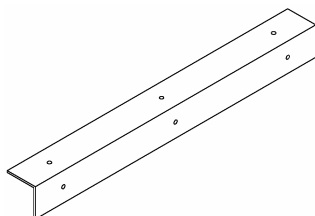
**Support for table, type SG**



With telescopic legs.  
Height: 720-1050 millimetres.

Art No	Description	Depth	Note
311.022	SG6	570	Like SG6+200 millimetres, suitable for wall service void.
311.022-2	SG6-2	770	
311.023	SG8	770	

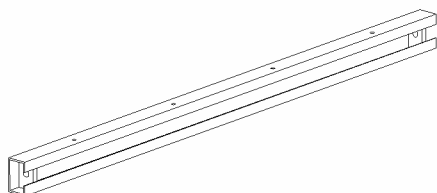
**Support**



Use for, for example, supporting worktops on walls.

Art No	Description	Length
311.033	Support	500

**Frame for table, type S**



Screws are included.

Art No	Description	Length	Use for
311.024-52	S52	520	Separate tables
311.024-82	S82	820	Separate tables
311.024-112	S112	1120	Separate tables
311.024-142	S142	1420	Separate tables
311.024-172	S172	1720	Separate tables
311.024-202	S202	2020	Separate tables
311.024-232	S232	2320	Separate tables
311.025-57	S57	570	Connected tables
311.025-87	S87	870	Connected tables
311.025-117	S117	1170	Connected tables
311.025-147	S147	1470	Connected tables
311.025-177	S177	1770	Connected tables
311.025-207	S207	2070	Connected tables
311.025-237	S237	2370	Connected tables

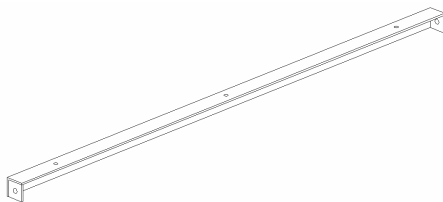
---

**Free standing support, type FBS**

30 x 265 x 900 millimetres. Screws and nuts are included.  
Use with support for service shelf IBF or IBC.

<b>Art No</b>	<b>Description</b>	<b>Height</b>
311.026	FBS	900

---

**Frame, type SFBS**

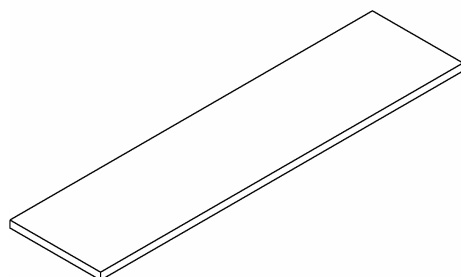
Frame for free standing support.  
Screws are included.

<b>Art No</b>	<b>Description</b>	<b>Length</b>
311.027-87	SFBS9	870
311.027-117	SFBS12	1170

[www.kebo.se](http://www.kebo.se)

**Worktops and shelves**

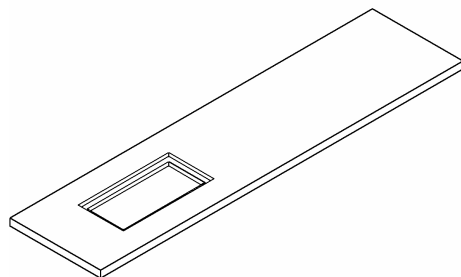
**Service shelf, type IS and ISB**



Surface made of high-pressure laminate, type K1040 UN (white). Edges of beech. Other laminates are available.  
 Service shelf type IS, for wall table service shelves.  
 Depth: 200 millimetres.  
 Service shelf type ISB, for centre table service shelves.  
 Depth: 300 millimetres.

Art No	Description	Length	Depth
311.050-600	IS600	600	200
311.050-625	IS625	625	200
311.050-900	IS900	900	200
311.050-925	IS925	925	200
311.050-1200	IS1200	1200	200
311.050-1225	IS1225	1225	200
311.050-1500	IS1500	1500	200
311.050-1525	IS1525	1525	200
311.050-1800	IS1800	1800	200
311.050-2100	IS2100	2100	200
311.050-2400	IS2400	2400	200
311.051-lpm	IS...	running metre	200
311.057-900	ISB900	900	300
311.057-925	ISB925	925	300
311.057-950	ISB950	950	300
311.057-1200	ISB1200	1200	300
311.057-1225	ISB1225	1225	300
311.057-1250	ISB1250	1250	300
311.057-1500	ISB1500	1500	300
311.057-1525	ISB1525	1525	300
311.057-1800	ISB1800	1800	300
311.057-2100	ISB2100	2100	300
311.057-2400	ISB2400	2400	300
311.058-lpm	ISB...	running metre	300

**Service shelf, type LIS and LISB**



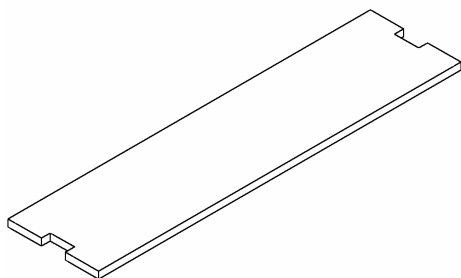
Surface made of high-pressure laminate, type K1040 UN (white). Edges of beech. Other laminates are available.  
 Service shelf type LIS, for wall table service shelves.  
 Depth: 200 millimetres. With hole for cupsink.  
 Service shelf type LISB, for centre table service shelves.  
 Depth: 300 millimetres. With hole for cupsink.

Art No	Description	Length	Depth
311.052-900	LIS9	900	200
311.052-1200	LIS12	1200	200
311.052-1500	LIS15	1500	200
311.059-900	LISB900	900	300
311.059-1200	LISB1200	1200	300
311.059-1500	LISB1500	1500	300

---

**Service shelf, type IST**

Use for centre tables. Depth: 300 millimetres.  
Surface made of high-pressure laminate, type K1040 UN (white). Edges of beech. Other laminates are available.  
Use with centre table support TBS or table support GTS.

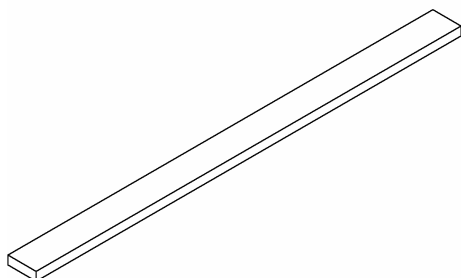


Art No	Description	Length
Start/end section		
311.053-625	IST625	625
311.053-925	IST925	925
311.053-1225	IST1225	1225
311.054-lpm	IST...	running metre
Add-on section		
311.055-600	IST600	600
311.055-900	IST900	900
311.055-1200	IST1200	1200
311.056-lpm	IST...	running metre

---

**Service shelf, type ISGT**

Use for centre tables. Depth: 74 millimetres.  
Surface made of high-pressure laminate, type K1040 UN (white). Edges of beech. Other laminates are available.  
Use with centre table support TBS or table support GTS.

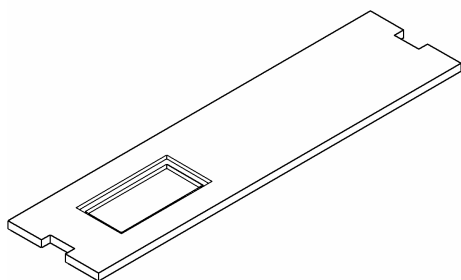


Art No	Description	Length
311.102-569	ISGT6	569
311.102-1169	ISGT12	1169
311.103-lpm	ISGT...	running metre

---

**Service shelf, type LIST**

Use for centre tables. Depth: 300 millimetres. With hole for cupsink.  
Surface made of high-pressure laminate, type K1040 UN (white). Edges of beech. Other laminates are available.  
Use with centre table support TBS or table support GTS.

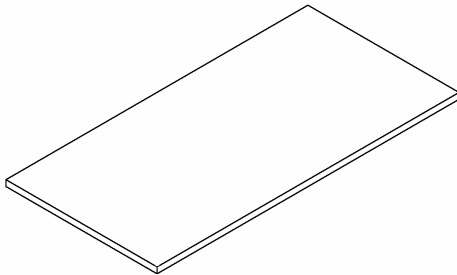


Art No	Description	Length
311.060-900	LIST900	900
311.060-1200	LIST1200	1200

[www.kebo.se](http://www.kebo.se)

**Worktop, type BSK 600/800**

Core made of chipboard, 22 millimetres thick. Surface made of high-pressure laminate, type K1040 UN (white). Edges of beech. Other laminates are available.

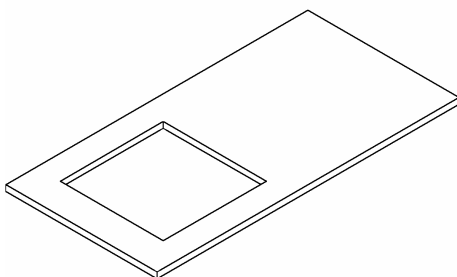


Art No	Description	Length	Depth
311.061-600	BSK600	600	600
311.061-625	BSK625	625	600
311.061-900	BSK900	900	600
311.061-925	BSK925	925	600
311.061-950	BSK950	950	600
311.061-1200	BSK1200	1200	600
311.061-1225	BSK1225	1225	600
311.061-1250	BSK1250	1250	600
311.061-1500	BSK1500	1500	600
311.061-1525	BSK1525	1525	600
311.061-1800	BSK1800	1800	600
311.061-2100	BSK2100	2100	600
311.061-2400	BSK2400	2400	600
311.062-lpm	BSK...	running metre	600
311.063-600	BSK600	600	800
311.063-625	BSK625	625	800
311.063-900	BSK900	900	800
311.063-925	BSK925	925	800
311.063-950	BSK950	950	800
311.063-1200	BSK1200	1200	800
311.063-1225	BSK1225	1225	800
311.063-1250	BSK1250	1250	800
311.063-1500	BSK1500	1500	800
311.063-1525	BSK1525	1525	800
311.063-1800	BSK1800	1800	800
311.063-2100	BSK2100	2100	800
311.063-2400	BSK2400	2400	800
311.064-lpm	BSK...	running metre	800

**Worktop, type VBSK**

Worktop for balance table. Surface made of high-pressure laminate, type K1040 UN (white). Edges of beech. Other laminates are available.

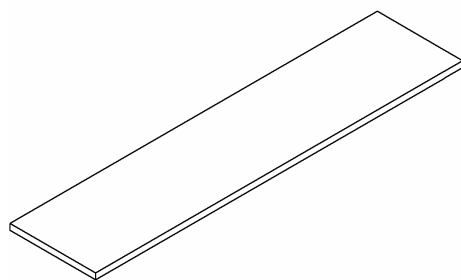
Hole for top stone: 410 x 410 millimetres.



Art No	Description	Length	Depth
311.073-900	VBSK900	900	600
311.073-1200	VBSK1200	1200	600
311.075-900	VBSK900	900	800
311.075-1200	VBSK1200	1200	800

Depth 800: hole made to order.

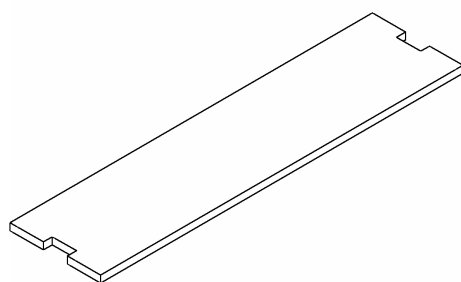
---

**Shelf, type HP**


Surface made of high-pressure laminate, type K1040 UN (white). Edges of beech. Other laminates are available.

<b>Art No</b>	<b>Description</b>	<b>Length</b>	<b>Depth</b>
311.083-lpm	HP...	running metre	280
311.085-lpm	HP...	running metre	400

---

**Shelf, type HPT**


Use for centre tables. Depth: 400 millimetres.  
 Surface made of high-pressure laminate, type K1040 UN (white). Edges of beech. Other laminates are available.  
 Use with centre table support TBS or table support GTS.

<b>Art No</b>	<b>Description</b>	<b>Length</b>
Start/end section		
311.095-lpm	HPT...	running metre
Add-on section		
311.097-lpm	HPT...	running metre

---

**Moulding edge, type HBK**

Made of wood (beech) and covered with a layer of lacquer.  
 Height: 42 millimetres.  
 Depth: 12 millimetres.

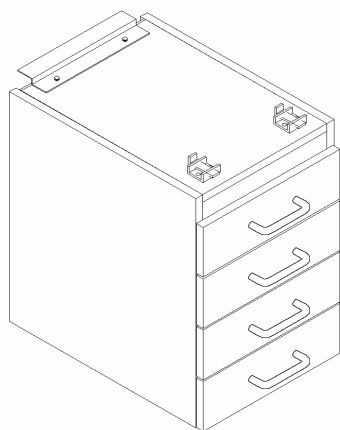
<b>Art No</b>	<b>Description</b>	<b>Length</b>
311.102-lpm	HBK...	running metre

[www.kebo.se](http://www.kebo.se)

## Drawer units and cupboards

This presentation features some of our standard configuration cabinets and cupboards. All cupboards can be fitted with locks.

### Underbench drawer unit, type LH



LH4-4

Mount on table frame. Can be fitted with a pull-out board.

Art No	Description	Length
--------	-------------	--------

4 drawers, height 580 millimetres

316.101	LH4-4	400
---------	-------	-----

316.102	LH6-4	600
---------	-------	-----

316.103	LH8-4	800
---------	-------	-----

3 drawers, height 580 millimetres

316.104	LH4-3	400
---------	-------	-----

316.105	LH6-3	600
---------	-------	-----

2 drawers, height 580 millimetres

316.106	LH4-2	400
---------	-------	-----

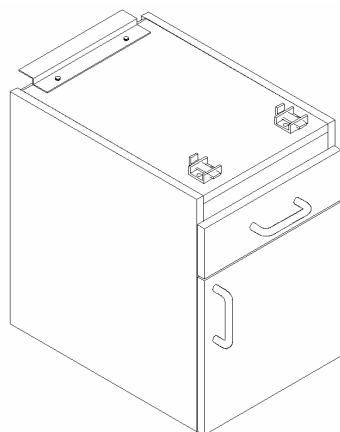
316.107	LH6-2	600
---------	-------	-----

3 drawers, height 452 millimetres

316.114	LH4-3	400
---------	-------	-----

316.115	LH6-3	600
---------	-------	-----

### Combination underbench unit – drawer and cupboard, type LSH

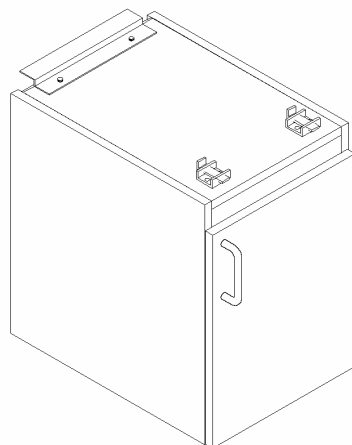


LSH4H

Mount on table frame. With one drawer and one cupboard. Can be fitted with a pull-out board.

Art No	Description	Length	Note
316.116-0	LSH4V	400	Right-hand door
316.116-1	LSH4H	400	Left-hand door
316.117-0	LSH6V	600	Right-hand door
316.117-1	LSH6H	600	Left-hand door

### Underbench cupboard, type SH

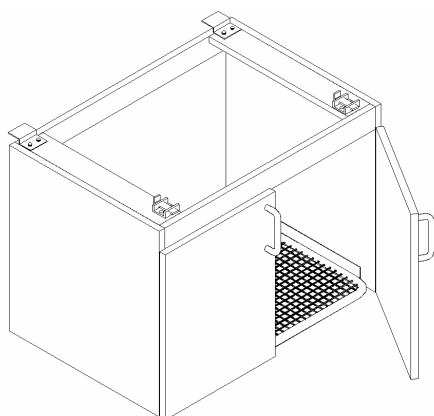


SH4H

Mount on table frame. With one adjustable shelf. Can be fitted with a pull-out board.

Art No	Description	Length	Note
316.118-0	SH4V	400	Right-hand door
316.118-1	SH4H	400	Left-hand door
316.119-0	SH6V	600	Right-hand door
316.119-1	SH6H	600	Left-hand door
316.120	SH8	800	Large cupboard, with 2 doors

---

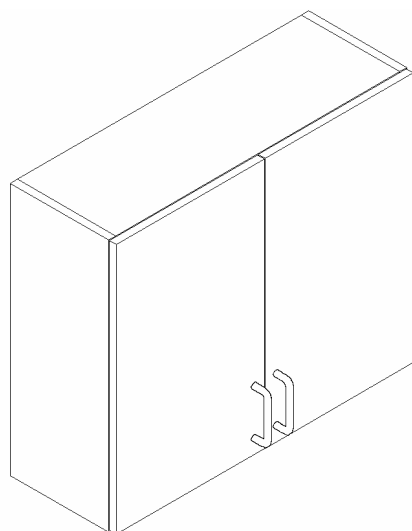
**Sink underbench cupboard, type IKS**


IKS9

Use under sink. Type IKS6 has only one door. Other types have two doors.

Art No	Description	Length	Use with
316.124-0	IKS6V	515	DLB6
316.124-1	IKS6H	515	DLB6
316.125	IKS9	815	DLB9
316.126	IKS12	1115	DLB12
316.127	IKS15	1415	DLB15

---

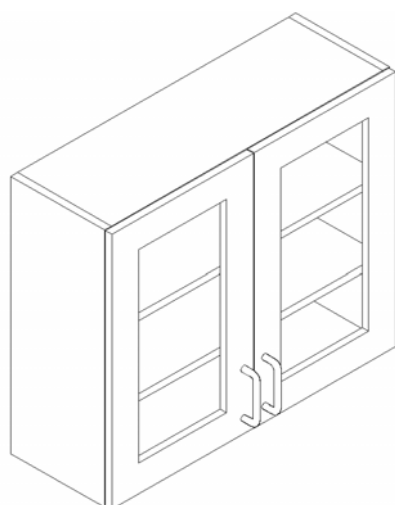
**Overbench cupboard with solid doors, type ÖST**


ÖST9

With solid doors and two adjustable shelves.  
Use with wall rail VS, centre table support TBS or table support GTS.

Art No	Description	Length	Note
316.201-0	ÖST6V	548	Right-hand door
316.201-1	ÖST6H	548	Left-hand door
316.203	ÖST9	848	
316.204	ÖST12	1148	

---

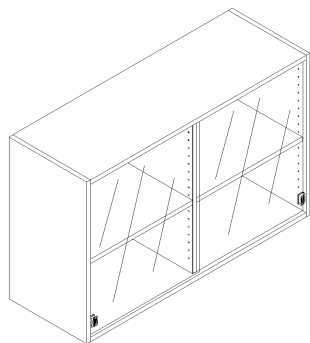
**Overbench cupboard with glass doors, ÖSG**


ÖSG9

With glass doors and two adjustable shelves.  
Use with wall rail VS, centre table support TBS or table support GTS.

Art No	Description	Length	Note
316.208-0	ÖSG6V	548	1 glass door, right-hand door
316.208-1	ÖSG6H	548	1 glass door, left-hand door
316.210	ÖSG9	848	2 glass doors
316.211	ÖSG12	1148	2 glass doors

**Overbench cupboard with sliding glass doors, ÖS/ÖSR**



ÖSR12

For centre table. With 2 adjustable shelves. Use with wall rail VS, centre table support TBS or table support GTS.

**Art No Description Length**

ÖS: With sliding glass doors on one side

316.206 ÖS9 848

316.207 ÖS12 1148

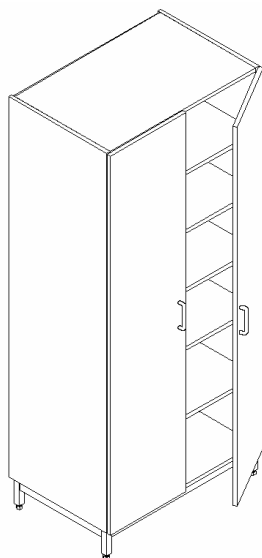
ÖSR: With sliding glass doors on both sides

316.212 ÖSR6 548

316.213 ÖSR9 848

316.214 ÖSR12 1148

**Tall storage cupboard with solid doors, HST**



HST9-2-6

With solid doors. 5 shelves. 4 adjustable shelves and 1 shelf with fixed position. Support stand included.

**Art No Description Length Depth Doors**

316.317-0 HST6V-1-4 600 470 1 solid, right-hand door

316.317-1 HST6H-1-4 600 470 1 solid, left-hand door

316.320-0 HST6V-2-4 600 470 2 solid, right-hand doors

316.320-1 HST6H-2-4 600 470 2 solid, left-hand doors

316.318 HST9-2-4 900 470 2 solid

316.321 HST9-4-4 900 470 4 solid

316.319 HST12-2-4 1200 470 2 solid

316.322 HST12-4-4 1200 470 4 solid

316.301-0 HST6V-1-6 600 600 1 solid, right-hand door

316.301-1 HST6H-1-6 600 600 1 solid, left-hand door

316.304-0 HST6V-2-6 600 600 2 solid, right-hand doors

316.304-1 HST6H-2-6 600 600 2 solid, left-hand doors

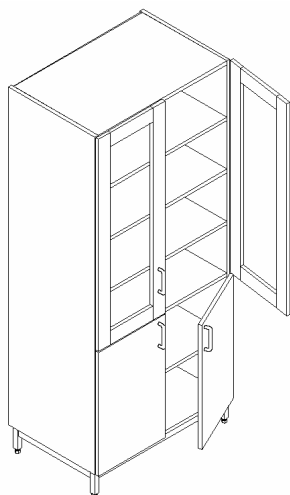
316.302 HST9-2-6 900 600 2 solid

316.305 HST9-4-6 900 600 4 solid

316.303 HST12-2-6 1200 600 2 solid

316.306 HST12-4-6 1200 600 4 solid

**Tall storage cupboard with glass doors and solid doors, HS**



HS9-4-6

With glass doors on upper part, solid doors on lower part. 5 shelves. 4 adjustable shelves and 1 shelf with fixed position. Support stand is included.

**Art No Description Length Depth Doors**

316.326-0 HS6V-2-4 600 470 1 glass, 1 solid, right-hand doors

316.326-1 HS6H-2-4 600 470 1 glass, 1 solid, left-hand doors

316.327 HS9-4-4 900 470 2 glass, 2 solid

316.328 HS12-4-4 1200 470 2 glass, 2 solid

316.311-0 HS6V-2-6 600 600 1 glass, 1 solid, right-hand doors

316.311-1 HS6H-2-6 600 600 1 glass, 1 solid, left-hand doors

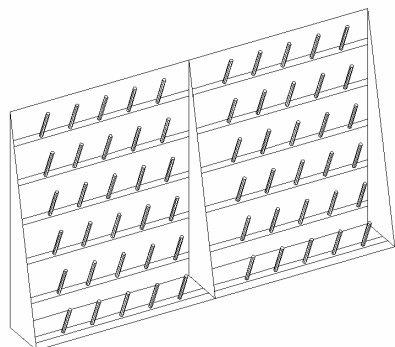
316.312 HS9-4-6 900 600 2 glass, 2 solid

316.313 HS12-4-6 1200 600 2 glass, 2 solid

---

**Other KEBO 100 products**

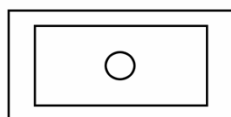

---

**Glassware pegboard, TS**


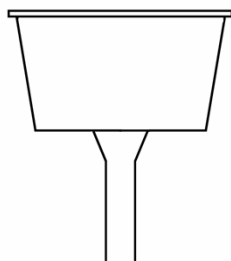
PVC-coated. Use fitting FBE or FBD to mount on wall rail VS, centre table support TBS or table support GTS.

Art No	Description	Length
310.090-6	TS6	600
310.090-9	TS9	900
310.090-12	TS12	1200

---

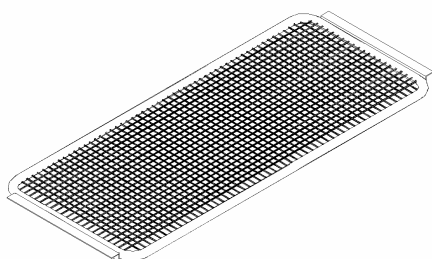
**Cupsink, LT3**


For mounting in worktop. Made of grey polypropylene.  
 Outside: 295 x 145  
 Inside: 255 x 100  
 Outlet: 40



Art No	Description
370.449-0	LT3

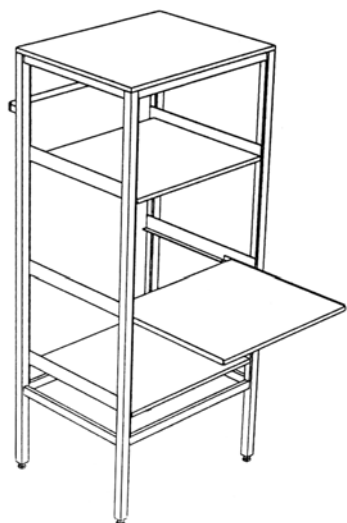
---

**Lattice shelf, GH**


For mounting under sink or laboratory bench. Made of galvanized steel.

Art No	Description	Length	Depth
311.308-6	GH6	520	500
311.308-9	GH9	820	500
311.308-12	GH12	1120	500
311.308-15	GH15	1420	500
311.309-6	GH6-K	570	500
311.309-9	GH9-K	870	500
311.309-12	GH12-K	1170	500
311.309-15	GH15-K	1470	500

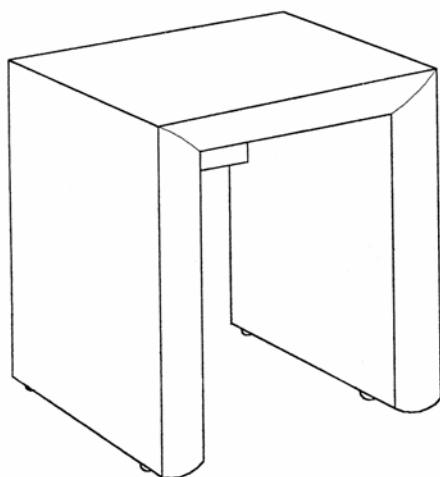
**Instrument rack, IR**



Gray metal support stand. Shelf surface made of laminate, type K1040 UN (white). Edges of beech.

Art No	Description	Note
311.329	IR	Rack without shelves, 850 x 690 x 2070 millimetres
311.330-1	IRB	Low rack on wheels, 850 x 690 x 870 millimetres
311.331	BYGEL	Wall distance
311.332	Shelf	Multi-position
311.333	Shelf	Multi-position, extractable shelf

**Concrete foundation, VB**



Weight: 115 kg, approximately.

Art No	Description	Measurements (L x D x H)
311.312-2	VF54-690	550 x 410 x 690 millimetres
311.312-4	VF54-840	550 x 410 x 840 millimetres
311.312-5	VF75-810	700 x 550 x 810 millimetres
311.312-6	VF75-660	700 x 550 x 660 millimetres
311.312-7	Top stone	400 x 400 x 60 millimetres
340.710-0	Top stone	245 x 415 x 90 millimetres for DGB 10T-85

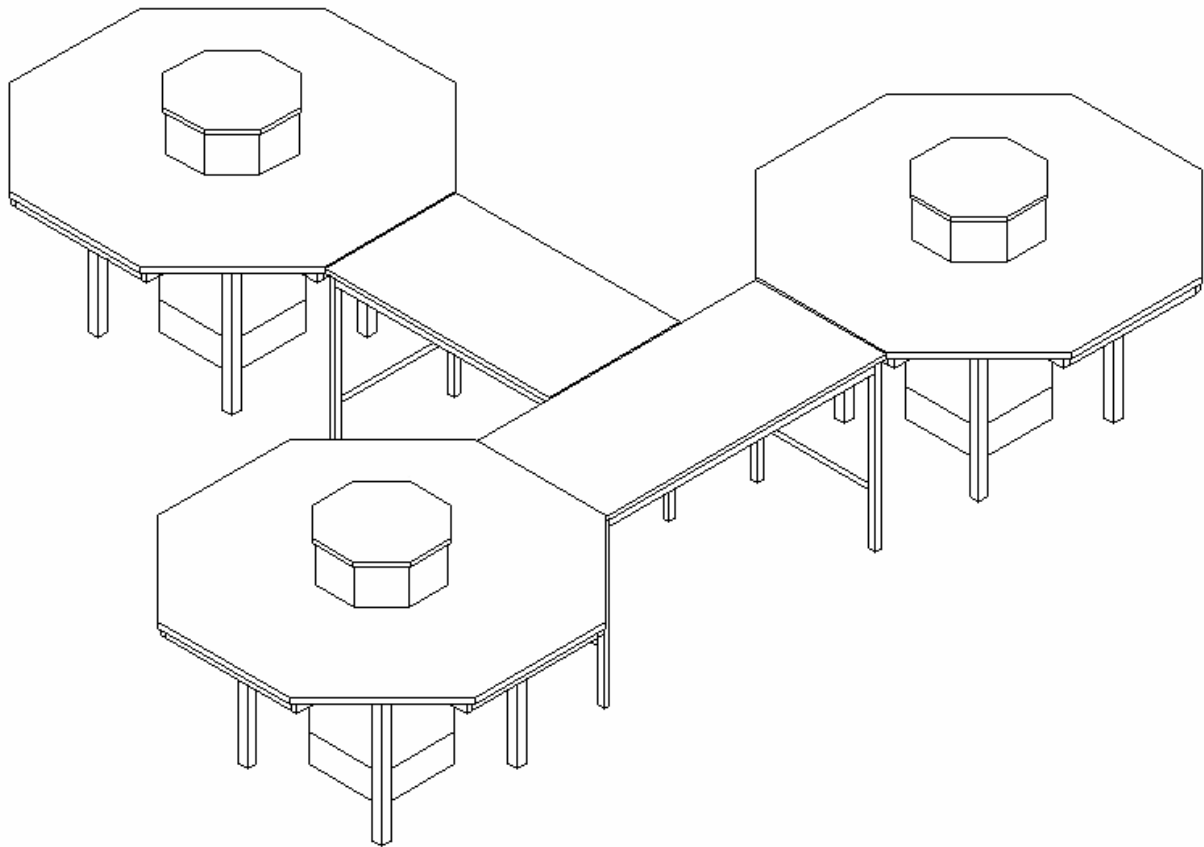
[www.kebo.se](http://www.kebo.se)

---

## Oktagon laboratory table

The OKTAGON laboratory table is suitable in schools, for example for students working in groups.

The table can be connected to laboratory benches and sinks. It can be equipped with electric sockets and fittings for gas and/or compressed air.



**Please contact us, if you want more information**

## Fume cupboards

Our fume cupboards can be fitted with worktops made of a range of materials, for example ceramics or polypropylene. We can install fittings for water, gas, compressed air, and vacuum. Our school fume cupboard can be fitted with glazed sides, for easy viewing. If you have special requirements, please let us know!

According to Swedish regulations (Arbets- skyddsstyrelsens författningssamling AFS 1997:10), a ventilated workplace where hazardous work is being performed must be fitted with an alarm that notifies the operator when the airflow is too low. We have alarms for easy installation in fume cupboards. For more information, please contact us.

### KEBO Pluto fume cupboard

Our fume cupboard KEBO Pluto provides the operator with a comfortable workplace, both when sitting and standing. The fume cupboard has a pull-out board, where the operator can place pen and paper, for example.

The cupsink is placed on the right-hand side, and easy to reach.

In designing KEBO Pluto we have put to use our extensive knowledge and experience in fume cupboards. The cupboard has been tested, with excellent results.

The KEBO Pluto fume cupboard is made of flame-resistant high-pressure laminate.

Optional: The fume cupboard can be fitted with an airflow alarm, extra electric components, and extra taps and service fittings.



Please note! The cupboard in the picture is equipped with extra features.

	Pluto 9		Pluto 12		Pluto 15	
Article number	320.800-0		320.801-0		320.802-0	
Width x depth x height in millimetres	895 x 800 x 2370		1195 x 800 x 2370		1495 x 800 x 2370	
Working height (sash opening maximum height)	270 mm	540 mm	270 mm	540 mm	270 mm	540 mm
Total air volume at 0,5 m/sec at sash opening, see above	108 l/sec 389 m <sup>3</sup> /h	208 l/sec 748 m <sup>3</sup> /h	152 l/sec 547 m <sup>3</sup> /h	292 l/sec 1050 m <sup>3</sup> /h	196 l/sec 705 m <sup>3</sup> /h	376 l/sec 1355 m <sup>3</sup> /h
Pressure drop	6 Pa	25 Pa	14 Pa	54 Pa	20 Pa	80 Pa
Sound pressure level (10m Sabine)	<31dB(A)	<34dB(A)	<31dB(A)	<34dB(A)	<34dB(A)	<38dB(A)
Recommended airflow with closed sash	25 l/sec 90 m <sup>3</sup> /h	25 l/sec 90 m <sup>3</sup> /h	35 l/sec 125 m <sup>3</sup> /h	35 l/sec 125 m <sup>3</sup> /h	45 l/sec 162 m <sup>3</sup> /h	45 l/sec 162 m <sup>3</sup> /h

**Please contact us, if you want more information**

### KEBO KP fume cupboard

The fume cupboard KEBO KP is suitable for most operations in production and research laboratories.



Please note! The cupboard in the picture is equipped with extra features.

A panel for electric sockets and other electric components is installed on the side. It does not reduce the width of the workspace in the cupboard.

The cupboard electric panel comes with three electric sockets. There is also a switch for the lighting, a switch for the electric sockets, and an automatic circuit breaker.

The KEBO KP fume cupboard is made of flame-resistant high-pressure laminate.

Optional: The fume cupboard can be fitted with an airflow alarm, extra electric components, and extra taps and service fittings.

	<b>KP9</b>	<b>KP12</b>	<b>KP15</b>
Article number	320.270-0	320.271-0	320.272-0
Width x depth x height in millimetres	870 x 790 x 2355	1170 x 790 x 2355	1470x 790 x 2355
Working height (sash opening maximum height)	260 mm	260 mm	260 mm
Total air volume at 0,5 m/sec at sash opening	102 l/sec	144 l/sec	186 l/sec
Pressure drop	18 Pa	25 Pa	32 Pa
Recommended airflow	25 l/sec	30 l/sec	40 l/sec

**Please contact us, if you want more information**

**KEBO SU school fume cupboard**

The KEBO SU school fume cupboard is designed for laboratories in schools.

The cupboard back and sides can be glazed, for easy viewing.

The fume cupboard can be fitted with a frame on wheels instead of a storage cupboard, for making it easy to move the cupboard in the classroom.

The KEBO KP fume cupboard is made of flame-resistant high-pressure laminate.

Optional: The fume cupboard can be fitted with an airflow alarm, extra electric components, and extra taps and service fittings.



Please note! The cupboard in the picture is equipped with extra features.

**KEBO SU**

Article number	322.000-0
Width x depth x height in millimetres	1000 x 660 x 2100 (with storage cupboard under the fume cupboard)
Working height (sash opening maximum height)	245 mm
Recommended airflow with sash at working height	135 l/sec (485 m <sup>3</sup> /h)
Pressure drop	70 Pa
Recommended airflow with closed sash	25 l/sec (90 m <sup>3</sup> /h)

**Extra features for the KEBO SU school fume cupboard**

Article number	Description	Width x depth x height in millimetres
322.000-1	Fume cupboard without storage cupboard	1000 x 660 x 1320
322.000-2	Storage cupboard	1000 x 600 x 780
322.000-3	Frame on wheels	980 x 600 x 780
322.000-4	Glazed back	
322.000-5	Glazed side, left	
322.000-6	Glazed side, right	
370.511	Airflow alarm	
320.661-7	Limit switch	

**Please contact us, if you want more information**

## Fume hoods

Work in industry and laboratories often produce dust, particles and smells that must be removed.

The KEBO fume hoods are designed to provide a ventilated work place at a reasonable cost.

### KEBO KPH fume hood

The KEBO KPH fume hood is suitable for work that demands a large work area and height. The fume hood can be mounted on an existing bench. The fume hood comes without bench.

The KEBO KPH is available in three widths. If there is a need for other dimensions, please contact us.

The KEBO KPH fume cupboard is made of flame-resistant high-pressure laminate.

Optional: The fume hood can be fitted with an airflow alarm.



Table is not included.

	<b>KPH9</b>	<b>KPH12</b>	<b>KPH15</b>
Article number	325.170-0	325.171-0	325.172-0
Width x depth x height in millimetres	770 x 795 x 1560	1070 x 795 x 1560	1370 x 795 x 1560
Recommended airflow minimum	25 l/sec	30 l/sec	40 l/sec
Total air volume at 0,5 m/sec at sash opening	97 l/sec	138 l/sec	180 l/sec
Working height (sash opening maximum height)	280 mm	280 mm	280 mm
Pressure drop	18 Pa	29 Pa	36 Pa

**Please contact us, if you want more information**

**KEBO DH fume hood**

The KEBO DH fume hood is easy to install on top of a table.

The fume hood is available in two standard sizes: 700 millimetres wide and 1200 millimetres wide.

The KEBO DH fume hood will soon be excluded from our standard product range.



Table is not included.

	DH 7/700	DH 7/1200
Article number	325.011-0	325.102-0
Measurements in millimetres (width x depth x height)	700 x 600 x 700	1190 x 600 x 700
Volume of air	505 m <sup>3</sup> /h	880 m <sup>3</sup> /h
Pressure drop	72 Pa	185 Pa

**Please contact us, if you want more information**

**KEBO Hässle fume hood**

The KEBO Hässle fume hood is suitable for work where the operator has to be able to reach the entire work chamber. The fume hood has a sash with folding sections.

The fume hood does not meet the same demands as a fume cupboard. Use the KEBO Hässle fume hood only for operations that are not hazardous for the operator.



Table is not included.

	Hässle-7	Hässle-12
Article number	325.160-7	325.160-12
Measurements in millimetres (width x depth x height)	700 x 600 x 700 mm	1200 x 600 x 700 mm
Volume of air at 0,5 m/sec at sash opening	180 mm = 60 l/sec, 216 m <sup>3</sup> /h 355 mm = 117 l/sec, 422 m <sup>3</sup> /h	180 mm = 102 l/sec, 370 m <sup>3</sup> /h 355 mm = 200 l/sec, 723 m <sup>3</sup> /h

**Please contact us, if you want more information**

## Downflow benches

### KEBO DGB 01-65 downflow bench

The KEBO DGB 01 downflow bench is designed to be placed on a table or a support stand. Its bottom plate is level, and has no drainage connection.

The air outlet pipe can be installed either to the left or the right of the perforated surface. There is a wire mesh filter in the air outlet opening.

Optional: The downflow bench can be fitted with an airflow alarm.

#### DGB 01-65

Article number	340.001-0
External dimensions (width x depth)	810 x 510 mm
Perforated worktop (width x depth)	600 x 500 mm
Airflow	300 m <sup>3</sup> /h (83 l/sec)
Pressure drop	60 Pa

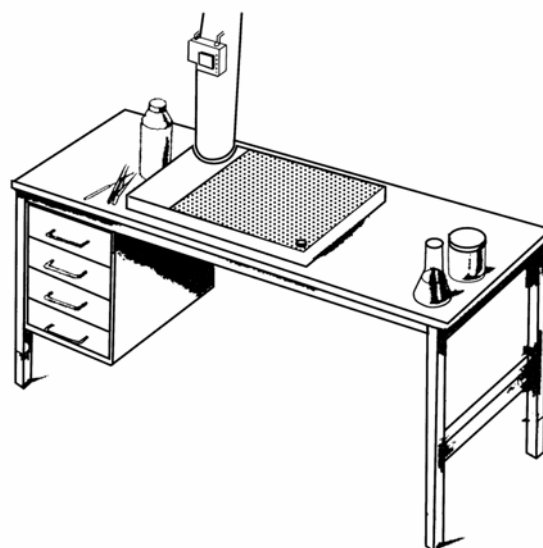


Table is not included.

**Please contact us, if you want more information**

### KEBO DGB 02 downflow bench

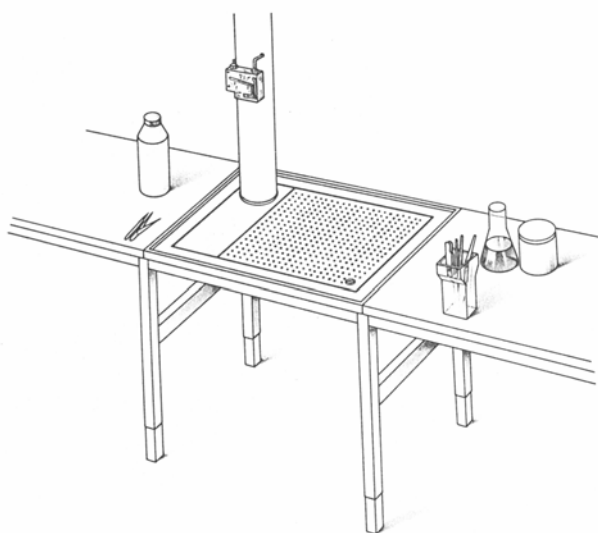
The KEBO DGB 02 downflow bench is designed to meet the demands of laboratories and pharmaceutical companies.

The perforated worktop is made of stainless, acid-proof steel. Rounded corners makes cleaning easy.

The pressure chamber has a drainage connection and a wire mesh filter in the air outlet opening.

The KEBO DGB 02 is available with a support frame. The air outlet pipe is placed either to the left or the right of the perforated worktop.

Optional: The downflow bench can be fitted with an airflow alarm.



#### DGB 02-65

#### DGB 02-85

Article number	340.002-0	340.003-0
External dimensions (width x depth)	900 x 600 mm	1200 x 600 mm
Perforated worktop (width x depth)	600 x 500 mm	800 x 500 mm
Airflow	300 m <sup>3</sup> /h (83 l/sec)	400 m <sup>3</sup> /h (111 l/sec)
Pressure drop	50 Pa	65 Pa

**Please contact us, if you want more information**

**KEBO DGB 03 downflow bench**

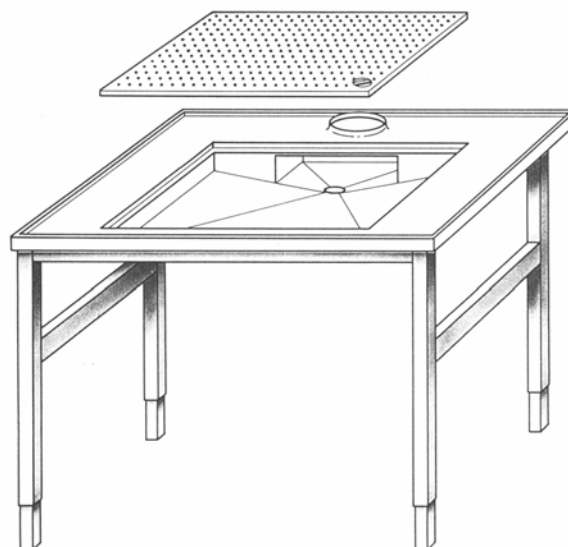
The KEBO DGB 03 downflow bench is designed to meet the high demands for hygiene in laboratories and pharmaceutical companies.

The perforated worktop is made of stainless, acid-proof steel. Rounded corners makes cleaning easy.

The pressure chamber has a drainage connection and a wire mesh filter in the air outlet opening.

The KEBO DGB 03 is available with a support frame.

Optional: The downflow bench can be fitted with an airflow alarm.



**DGB 03-65**

**DGB 03-85**

Article number	340.004-0	340.006-0
External dimensions (width x depth)	800 x 800 mm	1200 x 800 mm
Perforated worktop (width x depth)	600 x 500 mm	800 x 500 mm
Airflow	300 m <sup>3</sup> /h (83 l/sec)	400 m <sup>3</sup> /h (111 l/sec)
Pressure drop	65 Pa	90 Pa

**Please contact us, if you want more information**

**KEBO DGB 04 downflow bench**

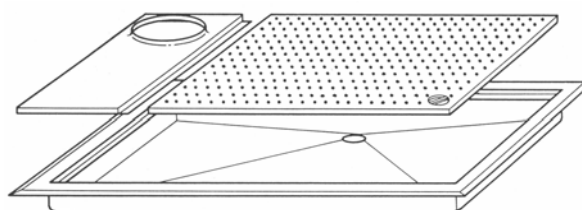
The KEBO DGB 04 downflow bench is designed for integration in an existing bench surface. The pressure chamber has a drainage connection and a wire mesh filter in the air outlet opening.

Rounded corners makes cleaning easy.

The air outlet pipe is placed either to the left or the right of the perforated worktop.

The downflow bench comes with a kit for installing the bench in a laboratory bench.

Optional: The downflow bench can be fitted with an airflow alarm.



**DGB 04-65**

**DGB 04-85**

Article number	340.008-0	340.009-0
Worktop cut size (width x depth)	810 x 510 mm	1010 x 510 mm
Perforated worktop (width x depth)	600 x 500 mm	800 x 500 mm
Airflow	300 m <sup>3</sup> /h (83 l/sec)	400 m <sup>3</sup> /h (111 l/sec)
Pressure drop	50 Pa	65 Pa

**Please contact us, if you want more information**

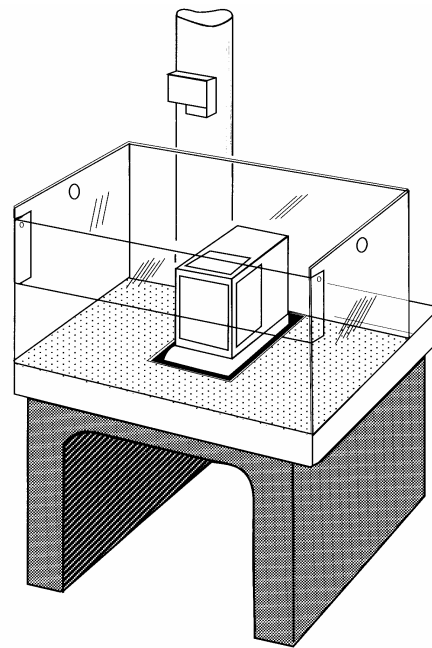
**KEBO DGB 10T-85 downflow bench**

The KEBO DGB 10T-85 downflow bench is designed for analytical balances. The bench is placed on a concrete foundation with vibration absorbers.

Dimensions: 800 x 700 x 90 millimetres.

We recommend using a protecting cover with the downflow bench. This gives the operator extra protection.

Optional: The downflow bench can be fitted with an airflow alarm.



Please note! The analytical balance in the picture is an extra feature.

**DGB 10T-85**

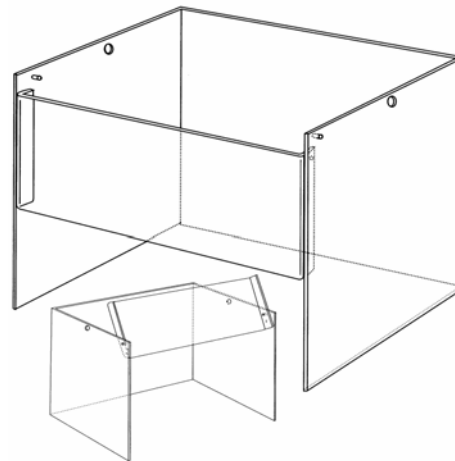
Article number	340.030-0
External dimensions (width x depth)	800 x 700 mm
Perforated worktop (width x depth)	800 x 500 mm (hole for top stone included)
Airflow	350 m <sup>3</sup> /h (95 l/sec)
Pressure drop	65 Pa

**Please contact us, if you want more information**

**KEBO SH1 protecting cover**

The KEBO SH1 protecting cover gives the operator additional protection when working on a downflow bench. The front is foldable.

The KEBO SH1 is made of acrylic plastic, 6 millimetres. It is available in two standard sizes. If there is a need for other dimensions, please contact us.



**SH 1-65**

**SH 1-85**

Article number	340.501-0	340.502-0
Measurements in millimetres (width x depth x height)	620 x 500 x 550 mm	820 x 500 x 550 mm
Working height in millimetres, front panel down	250	250
Working height in millimetres, front panel up	470	470

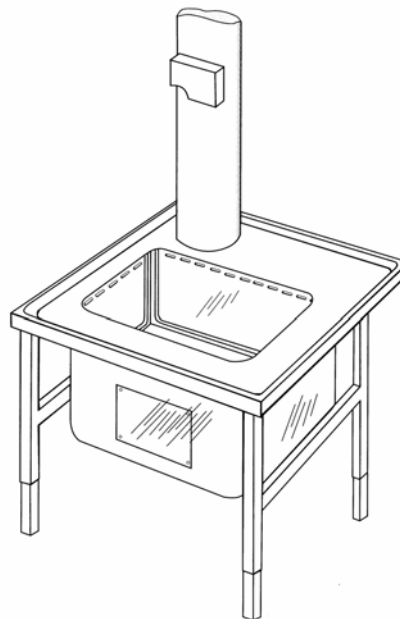
**Please contact us, if you want more information**

**KEBO VDL 03-54 ventilated sink**

The KEBO VDL 03-54 ventilated sink protects the operator when washing and disposing of fluids that are hazardous or odorous.

There is an inspection plate in the front of the outer box that allows the operator to check the ventilation space.

Optional: The ventilated sink can be fitted with an airflow alarm.



	<b>VDL 03-54/900</b>	<b>VDL 03-54/1200</b>
Article number	340.100-0	340.101-0
External dimensions (width x depth)	900 x 800 mm	1200 x 800 mm
Sink dimensions (width x depth x height)	500 x 400 x 200 mm	500 x 400 x 200 mm
Airflow	300 m <sup>3</sup> /h	300 m <sup>3</sup> /h
Pressure drop	100 Pa	100 Pa

**Please contact us, if you want more information**

[www.kebo.se](http://www.kebo.se)

## Ventilated storage systems

This presentation features some of our standard configuration ventilated storage systems.

### Chemical storage cabinet UKS-3L

The KEBO UKS-3L is a ventilated storage cabinet for storing chemicals in laboratories. It can be installed next to a fume cupboard.

The cabinet front and drawers are extractable, which makes it possible to reach the drawers from two sides. Each drawer has a capacity of 30 kg.



**UKS 3-L**

Article number	360.330
Measurements in millimetres (width x depth x height)	300 x 800 x 2120 mm
Recommended airflow	14 l/sec
Pressure drop	ca 20 Pa

**Please contact us, if you want more information**

### Chemical storage cabinet G series

This ventilated cabinet is suitable for storing hazardous substances. Doors, sides, top, and bottom are made of steel plates in a double-wall construction. It has fire insulation.

The cabinet can be locked.



	<b>G200</b>	<b>G803</b>	<b>G804</b>	<b>G806</b>	<b>G1204</b>	<b>G2004</b>	<b>G2006</b>
Article number	360.591-0	360.590-0	360.589-0	360.588-0	360.587-0	360.586-0	360.585-0
Width	600	1000	1000	1000	1000	1000	1000
Depth	600	300	450	600	450	450	600
Height	2095	895	895	895	1295	2095	2095
Number of shelves	5	1	1	1	3	5	5
Rec airflow	50 m <sup>3</sup> /h	30 m <sup>3</sup> /h	35 m <sup>3</sup> /h	40 m <sup>3</sup> /h	40 m <sup>3</sup> /h	55 m <sup>3</sup> /h	60 m <sup>3</sup> /h

**Chemical storage cabinet EI 30**

The EI 30 chemical storage cabinet is suitable for storing inflammable chemicals. It is equipped for ventilation installation. The cabinet must be connected to a mechanical ventilation system.



Heat may spread into the cabinet through the ventilation openings. The cabinet can be equipped with fire dampers.

Optional extras: The cabinet can be equipped with fire dampers, adjustable shelves, extractable shelves with bent edges, drip tray, and lock.

EI 30-KEM1 and EI 30-KEM2 can also be equipped with a cart with ramp.

	EI 30-KEM1	EI 30-KEM2	EI 30-KEM3
Article number	360.601-1	360.601-2	360.601-3
Measurements in millimetres (width x depth x height)	925 x 770 x 853 mm	925 x 770 x 1125 mm	925 x 600 x 2000 mm
Recommended airflow	40 m <sup>3</sup> /h	50 m <sup>3</sup> /h	60 m <sup>3</sup> /h

**Gas storage cabinet EI 30**

The EI 30 gas storage cabinet is suitable for storing inflammable gases.

The EI 30 gas storage cabinet has ventilation openings in the back, for ventilation through an outer wall. The cabinet is also available with ventilation openings on one side.



The cabinet can be equipped with adjustable shelves, extractable shelves with bent edges, and a lock that comes with two keys.

EI 30-GAS1 and EI 30-GAS2 can also be equipped with a cart with ramp.

	EI 30-GAS1	EI 30-GAS2	EI 30-GAS3	EI 30-GAS4	Cart and ramp
Article number	360.600-1	360.600-2	360.600-3	360.600-5	360.600-4
Measurements in millimetres (width x depth x height)	925 x 770 x 853	925 x 770 x 1125	925 x 600 x 2000	925 x 600 x 853	Suitable for GAS1 and GAS2

**Acid and poison storage cabinets, SS12 and GS8**

Poisons, acids, and other hazardous materials should be kept in a locked, ventilated space.

The KEBO acid and poison storage cabinets are used in schools, workshops, laboratories, hospitals and pharmacies. Also, goldsmiths and photographers use our cabinets in their workshops.

The picture shows our combination storage system, with both the poison storage cabinet GS8 and the acid storage cabinet SS12.



**Acid storage cabinet SS12**

The acid storage cabinet is made of chipboard and laminated wood with a coating of white, flame-resistant laminate.

The shelves are adjustable and ventilated. The cabinet has a drip tray made of polypropylene.

The hinges are made of steel with an epoxy coating. All screws in the cabinet are made of acid resistant stainless steel.

To provide ventilation in the cabinet, its back and top has a double-wall construction and ventilation connection.

**Poison storage cabinet GS8**

The poison storage cabinet is flame-resistant, and made of white-coated steel. The isolation consists of mineral wool.

The shelves are adjustable, with bent edges.

The cabinet doors can be locked.

The cabinet has a ventilating duct and a ventilation connection.

	<b>Combination acid and poison storage</b>	<b>Acid storage cabinet SS12</b>	<b>Poison storage cabinet GS8</b>
Article number	360.594-6	360.594-0	360.592-8
Measurements in millimetres (width x depth x height)	1000 x 450 x 2100 mm (including plinth, 100 mm)	1000 x 450 x 1300 mm (including plinth, 100 mm)	1000 x 300 x 800 mm

**Please contact us, if you want more information**

## Work chairs

This is our standard work chair. Please contact us if you want information about other types of chairs.

### KEBO 395 work chair

The KEBO 395 work chair is well suited for laboratories. The chair has an ergonomically shaped seat and back in integral foam.

The chair is easy to clean and is built to withstand rough treatment.

The chair is made of non-organic materials. It can be cleaned with alcohol.

The chair has gas height adjustment and automatic positioning of the backseat with tilt function.

The chair can be used as a low chair (seat height 375-505 millimetres) or as a high chair (seat height 510-710 millimetres). The gas cartridge determines the seat height.

The base is black-lacquered with wheels.

Optional: The chair can be fitted with armrests, and foot support (for high seat height).



	Low	High
Article number	370.643-0	370.643-1
Base	Black-lacquered	Black-lacquered
Back width	410 mm	410 mm
Seat width	470 mm	470 mm
Seat height	375-505 mm	510-710 mm

[www.kebo.se](http://www.kebo.se)

---

## Electric power strips

---

### Electric power strip GP RR Newline

Power strip with grounded outlets 250 V/16 A. With 2 m cord (3x1,5 mm<sup>2</sup>), plug and fittings.



Art No	Length	Description
372.001-308	308 mm	GP 308 RR Newline with 5 grounded outlets
372.001-440	440 mm	GP 440 RR Newline with 8 grounded outlets
372.001-968	968 mm	GP 968 RR Newline with 10 grounded outlets

---

### Electric power strip GP VI Newline

Power strip with a combination on/off switch and grounded outlets 250 V/16 A. With 2 m cord (3x1,5 mm<sup>2</sup>), plug and fittings.



Art No	Length	Description
372.003-308	308 mm	GP 308 VI Newline with 5 grounded outlets
372.003-440	440 mm	GP 440 VI Newline with 8 grounded outlets
372.003-968	968 mm	GP 968 VI Newline with 10 grounded outlets

---

### Electric power strip GP IE Newline

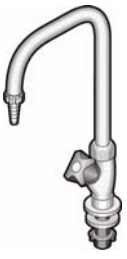
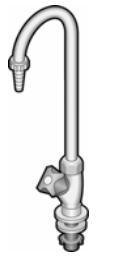
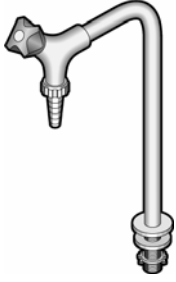
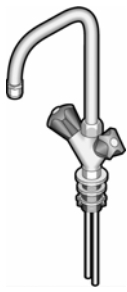
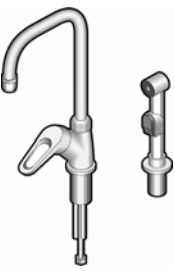
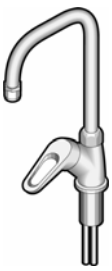
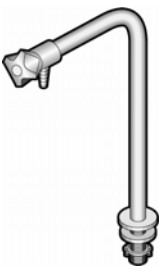
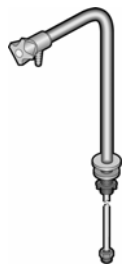
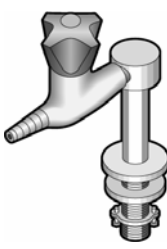
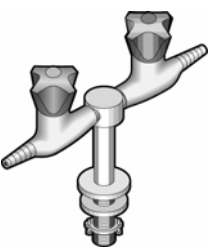
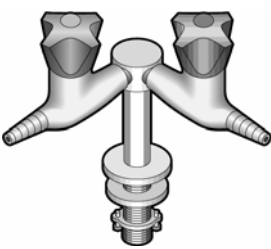
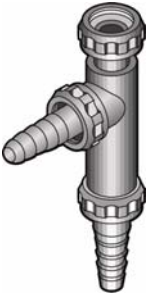
Power strip with overload protection, 30 mA/10 A. 6 grounded outlets 250 V/16 A with 2 m cord (3x1,5 mm<sup>2</sup>), plug and fittings.



Art No	Length	Description
372.005-440	440 mm	GP 440 IE Newline with 6 grounded outlets

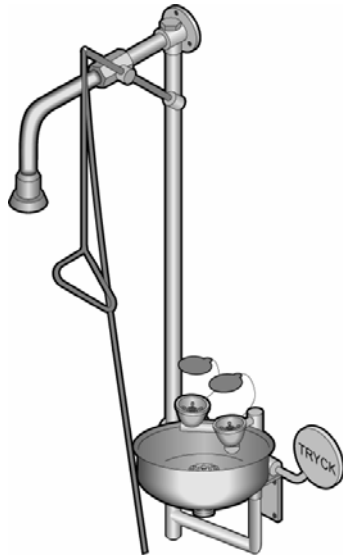
**Electric power strips with other dimensions and properties can be made to order. Please contact us for more information.**

**Taps and service fittings**

<p><b>AJ 6705/15 280.009</b> Bench fitting, for cold water</p>  <p>Standout: 180 mm Article No: 370.705-0</p>	<p><b>AJ 6706/15 279.009</b> Bench fitting, for cold water</p>  <p>Standout: 120 mm Article No 370.706-0</p>	<p><b>AJ 6710/15 213.009</b> Bench fitting, one outlet, for cold water</p>  <p>Article No: 370.710-0</p>	<p><b>AJ 6730/15 284.009</b> Mixer with aerator</p>  <p>Article No: 370.730-0</p>
<p><b>AJ 6738/15 305.009</b> Mixer with hand shower</p>  <p>Article No: 370.738-0</p>	<p><b>AJ 6739/15 304.009</b> Mixer</p>  <p>Article No: 370.739-0</p>	<p><b>AJ 6742/15 386.009</b> Bench fitting, for distilled water</p>  <p>Article No: 370.742-0</p>	<p><b>AJ 6743/15 402.009</b> Bench fitting, for deionized water</p>  <p>Article No: 370.743-0</p>
<p><b>AJ 6771</b> Bench fitting, 1 valve</p>  <p>Article No    Use for 370.771-0    Natural gas/                   town gas/                   low pressure                   bottle gas 370.771-1    15 014.909                   Non-burning                   2.0 gases                   15 022.009 370.771-2    Vacuum                   15 022.929 370.771-3    Non-burning                   4.0 gases                   15 055.009</p>	<p><b>AJ 6772</b> Bench fitting, 2 valves</p>  <p>Article No    Use for 370.772-0    Natural gas/                   town gas/                   low pressure                   bottle gas 370.772-1    15 013.909                   Non-burning                   2.0 gases                   15 021.009 370.772-2    Vacuum                   15 021.929 370.772-3    Non-burning                   4.0 gases                   15 051.009</p>	<p><b>AJ 6773</b> Bench fitting, 2 valves</p>  <p>Article No    Use for 370.773-0    Natural gas/                   town gas/                   low pressure                   bottle gas 370.773-1    15 017.909                   Non-burning                   2.0 gases                   15 025.009 370.773-2    Vacuum                   15 025.929 370.773-3    Non-burning                   4.0 gases                   15 054.009</p>	<p><b>AJ 6896/19 198.009</b> Vacuum pump for mounting on water fitting</p>  <p>Article No: 370.896-0</p>

**Body and eye showers**
**AJ 6243-6230/17 452.009 (F 4170)**

Body shower for wall mounting with eye wash and bowl for exposed pipe work, with one pull rod



Article No: 370.913-0

**AJ 6292/17 457.009**

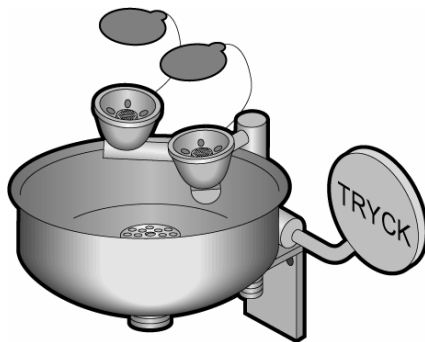
Thermostatic mixing valve for combination body shower and eye wash and bowl



Article No: 370.911-0

**AJ 6230/17 928.009**

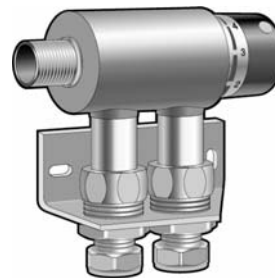
Eye shower with bowl for wall mounting



Article No: 370.230-0

**AJ 6296/17 140.039**

Thermostatic mixing valve for eye shower. For wall mounting and for exposed pipe work.



Article No: 370.910-0

Please contact us, if you want more information

---

## Laminar air flow cabinets

We sell BIOAIR products: biosafety cabinets, laminar downflow cabinets, chemical hoods and passive PCR cabinets.

Please contact us, if you want more information.

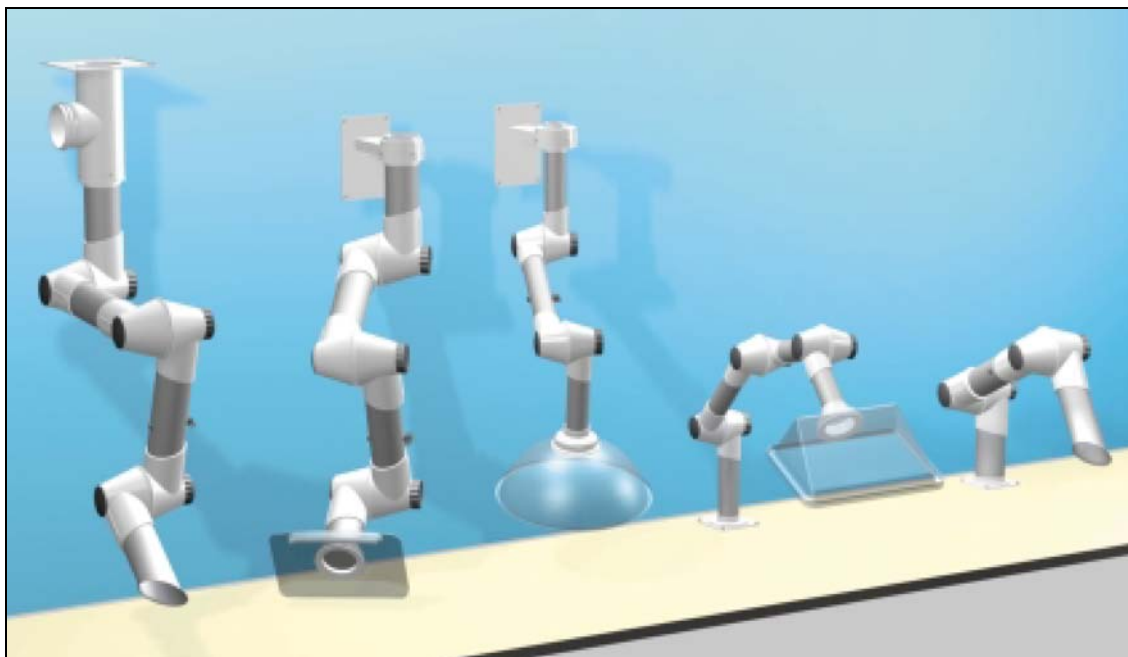


## Local extractors

Local extractors are suitable for worksites where great flexibility is needed. Extractors for table mounting, wall mounting, and ceiling mounting are available.

The standard extractors are made of aluminium with three white plastic joints. The extractor with a diameter of 75 millimetres is also available in polypropylene.

Optional extras: hood, dome and nozzle.



Please contact us, if you want more information

---

## KEBO 100 – description of materials

### Cupboard frames

19 millimetres chipboard with a coating of white laminate on both sides. Visible edges are made of 0,8 millimetres ABS.

The top and bottom of wall cupboard 12 and overbench cupboards ÖSR6, ÖSR9 and ÖSR12 are made of 19 millimetres blockboard with a coating of white laminate.

Backs of tall storage cupboards are made of 3 millimetres masonite. White lacquer on one side of the back board.

Back boards of wall cupboards and underbench units are made of 3 millimetres MDF. White lacquer on both sides of the back board.

The cupboard frames are glued and pegged together.

### Cupboard shelves

19 millimetres chipboard with a coating of white laminate on both sides. Visible edges are made of 0,8 millimetres ABS.

Tall cupboards, 1200x470 millimetres, have shelves made of 19 millimetres blockboard with a coating of white laminate.

Wall cupboard 12 and overbench cupboard ÖSR12 comes with a dividing side.

### Doors and drawer fronts

19 millimetres chipboard with a coating of white high-pressure laminate, K1040 UN, on both sides. The laminate overlaps the edge. The edge is made of solid wood. The overlapping laminate and the solid wood edge is covered with a layer of lacquer. The hinges are placed inside the cupboard. Other laminates are available.

### Drawers

Drawer sides are made of lacquered steel plates. The drawer bottom is made of 10 millimetres chipboard with a coating of white laminate. The drawer back is made of 16 millimetres chipboard with a coating of white laminate.

The drawers are mounted on a slide system from Grass.

### Framed glass doors

Frame made of 19 millimetres chipboard with a coating of high-pressure laminate, K1040 UN, on both sides. The laminate overlaps the edge. The edge is made of solid wood. The overlapping laminate and the solid wood edge is covered with a layer of lacquer.

The glass is 3,0 millimetres float glass.

### Sliding glass doors

Sliding door system made of aluminium, slide fittings and dust profile. Product EKU, Clipo, GK. Attached to the frame top and just a steering-gear on frame bottom. Glass: 6 millimetres float glass. The edges are ground and polished.

### Hinges

Self closing with 120 degree opening. The hinges are adjustable in three directions. No tools are needed to mount or remove the door. Hinges with other degrees of opening are available.

### Handles

Handles are 128 millimetres, in lacquered beech. Other handles are available.

### Locks

Cupboards and the top drawer in combination underbench units can be fitted with locks from Ojmar, model LL1.

Sliding doors can be fitted with locks.

### Worktops and service shelves

22 millimetres chipboard with a coating of white high-pressure laminate on the topside, and a coating of non-decorative laminate on the underside. The laminate overlaps the edge. The edge is made of solid wood. The overlapping laminate and the solid wood edge is covered with a layer of lacquer.

Service shelves with hole for cupsink or sink is made of 22 millimetres chipboard or blockboard. Other laminates and other boards are available.

---

**Shelves**

19 millimetres chipboard with a coating of white high-pressure laminate on both sides. The laminate overlaps the edge. The edge is made of solid wood. The overlapping laminate and the solid wood edge is covered with a layer of lacquer. For better bearing capacity, shelves can be made of 19 millimetres blockboard. Other laminates are available.

**Steel**

Steel according to the Swedish standard SS 141412. The steel colour is white. All supports for tables have telescopic legs and adjustable feet.

**Sinks**

Made of acid resistant stainless steel, SS 23 47, glued on water resistant chipboard V313. Standard sinks are BE-50 or LE-34. Other sinks are available. Sinks made of polypropylene are available.

**Pictures and specifications in this catalogue are based on current product information. KEBO Inredningar Sverige AB reserves the right to make product design and material changes at any time without notice.**



---

**Index**

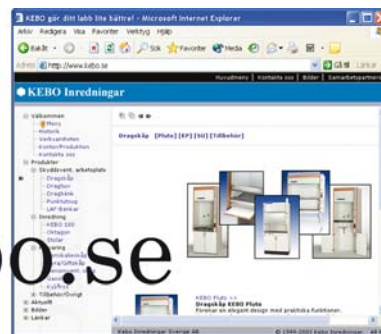
Acid storage .....	39	Laboratory table Oktagon.....	27
Balance table.....	10	Laminar air flow cabinet.....	44
Bench .....	6, 7, 9, 10, 27	Lattice shelf .....	25
Body shower .....	43	Local extractor .....	45
Bracket for shelf.....	12	Moulding edge.....	21
Bracket for table.....	16	Overbench cupboard.....	23, 24
Cabinet.....	37, 38, 39	Overbench cupboard design.....	8
Centre table design .....	6	Poison storage.....	39
Centre table support.....	11	Protecting cover .....	35
Chair .....	40	School fume cupboard .....	30
Chemical storage cabinet.....	37, 38	Service fitting .....	42
Combination underbench unit .....	22	Service shelf.....	18, 19
Concrete foundation.....	26	Shelf .....	21, 25
Cupboard .....	22, 23, 24	Shelf design.....	8
Cupsink.....	25	Sink .....	10
Description of materials .....	46	Sink underbench cupboard .....	23
Desk .....	9	Sink, ventilated .....	36
Downflow bench .....	33, 34, 35	Steel parts.....	11
Drawer unit .....	22	Storage system .....	37
Electric power strip.....	41	Support.....	16
Eye shower .....	43	Support for service shelf .....	14
Fitting .....	13	Support for table.....	15, 16
Fitting, floor.....	13	Table.....	6, 7, 9, 10, 27
Frame.....	17	Table support.....	11
Frame for table.....	16	Tall storage cupboard.....	24
Free standing support.....	17	Tap.....	42
Fume cupboard.....	28, 29, 30	Underbench cupboard .....	22
Fume hood .....	31, 32	Underbench drawer unit.....	22
Furniture KEBO 100 .....	4	Wall rail .....	11
Gas storage cabinet.....	38	Wall table design.....	7
Glassware pegboard.....	25	Ventilated sink .....	36
Instrument rack .....	26	Ventilated storage system .....	37
Laboratory bench .....	9	Wheel kit.....	13
Laboratory bench on wheels.....	9	Worktop.....	20

[www.kebo.se](http://www.kebo.se)

# KEBO Inredningar



[www.kebo.se](http://www.kebo.se)



## KEBO Inredningar Sverige AB

**Stockholm**  
Box 1111  
141 23 HUDDINGE  
SWEDEN  
Tel: +46 8 607 95 50  
Fax: +46 8 761 24 56



**Hässleholm**  
Box 167  
281 22 HÄSSLEHOLM  
SWEDEN  
Tel: +46 451 846 20  
Fax: +46 451 846 23

